

■ Features :

- Universal AC input / Full range
- Protections: Short circuit / Over load / Over voltage
- Cooling by free air convection
- 100% full load burn-in test
- 2 years warranty

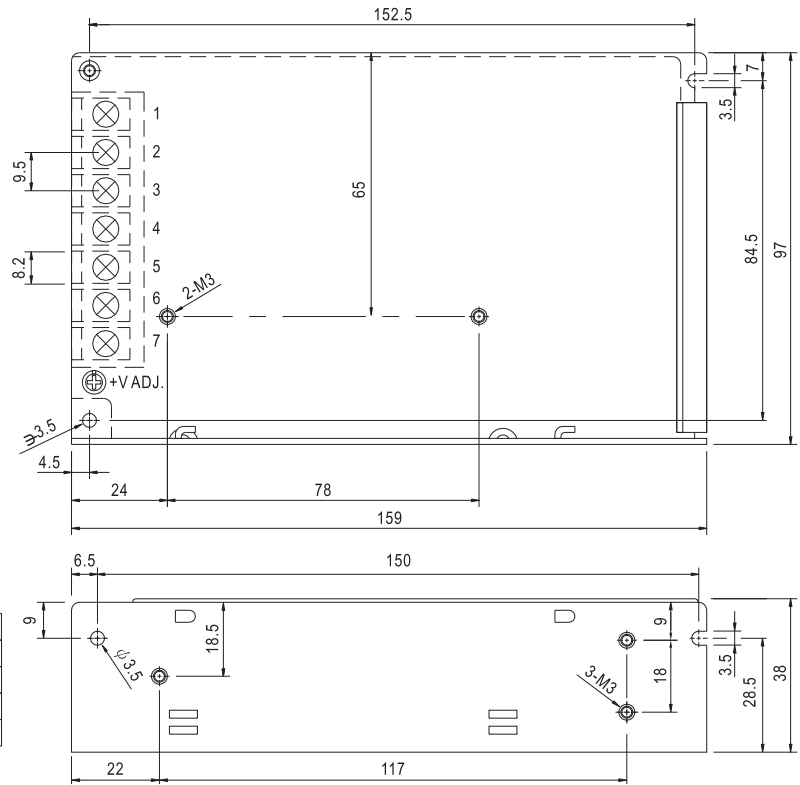


SPECIFICATION

| MODEL                 |   | NET-75A   |            |                                  | NET-75B          |            |            | NET-75C          |            |            | NET-75D          |          |            |
|-----------------------|---|---|------------|----------------------------------|------------------|------------|------------|------------------|------------|------------|------------------|----------|------------|
| OUTPUT                | OUTPUT NUMBER   | CH1   | CH2        | CH3                              | CH1              | CH2        | CH3        | CH1              | CH2        | CH3        | CH1              | CH2      | CH3        |
|                       | DC VOLTAGE  | 5V  | 12V        | -5V                              | 5V               | 12V        | -12V       | 5V               | 15V        | -15V       | 5V               | 24V      | 12V        |
|                       | RATED CURRENT   | 6A  | 3A         | 0.5A                             | 5A               | 2.8A       | 0.5A       | 6A               | 2.3A       | 0.5A       | 5A               | 1.5A     | 1A         |
|                       | CURRENT RANGE <small>Note.6</small>   | 0.6 ~ 7A  | 0.2 ~ 3.5A | 0.1 ~ 0.7A                       | 0.6 ~ 7A         | 0.2 ~ 3.5A | 0.1 ~ 0.7A | 0.6 ~ 7A         | 0.1 ~ 3.5A | 0.1 ~ 0.7A | 0.6 ~ 6A         | 0.1 ~ 2A | 0.1 ~ 1.5A |
|                       | RATED POWER   | 68.5W   |            |                                  | 64.6W            |            |            | 72W              |            |            | 73W              |          |            |
|                       | RIPPLE & NOISE (max.) <small>Note.2</small>   | 80mVp-p   | 120mVp-p   | 120mVp-p                         | 80mVp-p          | 120mVp-p   | 120mVp-p   | 80mVp-p          | 150mVp-p   | 150mVp-p   | 80mVp-p          | 200mVp-p | 120mVp-p   |
|                       | VOLTAGE ADJ. RANGE  | CH1:4.75 ~ 5.5V   |            |                                  | CH1: 4.75 ~ 5.5V |            |            | CH1: 4.75 ~ 5.5V |            |            | CH1: 4.75 ~ 5.5V |          |            |
|                       | VOLTAGE TOLERANCE <small>Note.3</small>   | ±2.0%   | ±6.0%      | ±5.0%                            | ±2.0%            | ±6.0%      | ±5.0%      | ±2.0%            | ±8.0%      | ±5.0%      | ±2.0%            | ±8.0%    | ±6.0%      |
|                       | LINE REGULATION <small>Note.4</small>   | ±0.5%   | ±1.0%      | ±1.0%                            | ±0.5%            | ±1.0%      | ±1.0%      | ±0.5%            | ±1.0%      | ±1.0%      | ±0.5%            | ±1.0%    | ±1.0%      |
|                       | LOAD REGULATION <small>Note.5</small>   | ±1.5%   | ±3.0%      | ±1.0%                            | ±1.5%            | ±3.0%      | ±1.0%      | ±1.5%            | ±3.0%      | ±1.0%      | ±1.5%            | ±3.0%    | ±3.0%      |
| SETUP, RISE TIME      | 500ms, 30ms/230VAC  |   |            | 1200ms, 30ms/115VAC at full load |                  |            |            |                  |            |            |                  |          |            |
| HOLD UP TIME (Typ.)   | 50ms/230VAC   |   |            | 10ms/115VAC at full load         |                  |            |            |                  |            |            |                  |          |            |
| INPUT                 | VOLTAGE RANGE   | 85 ~ 264VAC   |            |                                  | 120 ~ 370VDC     |            |            |                  |            |            |                  |          |            |
|                       | FREQUENCY RANGE   | 47 ~ 63Hz   |            |                                  |                  |            |            |                  |            |            |                  |          |            |
|                       | EFFICIENCY(Typ.)  | 77%   |            |                                  | 78%              |            |            | 78%              |            |            | 80%              |          |            |
|                       | AC CURRENT (Typ.)   | 1.5A/115VAC   |            |                                  | 0.9A/230VAC      |            |            |                  |            |            |                  |          |            |
|                       | INRUSH CURRENT (Typ.)   | COLD START 45A  |            |                                  |                  |            |            |                  |            |            |                  |          |            |
| LEAKAGE CURRENT       | <2mA / 240VAC   |   |            |                                  |                  |            |            |                  |            |            |                  |          |            |
| PROTECTION            | OVERLOAD  | 110 ~ 150% rated output power<br>Protection type : Hiccup mode, recovers automatically after fault condition is removed |            |                                  |                  |            |            |                  |            |            |                  |          |            |
|                       | OVER VOLTAGE  | CH1: 5.75 ~ 6.75V<br>Protection type : Shut down o/p voltage, re-power on to recover                                    |            |                                  |                  |            |            |                  |            |            |                  |          |            |
| ENVIRONMENT           | WORKING TEMP.   | -20 ~ +60°C (Refer to "Derating Curve")   |            |                                  |                  |            |            |                  |            |            |                  |          |            |
|                       | WORKING HUMIDITY  | 20 ~ 90% RH non-condensing  |            |                                  |                  |            |            |                  |            |            |                  |          |            |
|                       | STORAGE TEMP., HUMIDITY   | -40 ~ +85°C, 10 ~ 95% RH  |            |                                  |                  |            |            |                  |            |            |                  |          |            |
|                       | TEMP. COEFFICIENT   | ±0.03%/°C (0 ~ 45°C)  |            |                                  |                  |            |            |                  |            |            |                  |          |            |
|                       | VIBRATION   | 10 ~ 500Hz, 2G 10min./1cycle, period for 60min. each along X, Y, Z axes   |            |                                  |                  |            |            |                  |            |            |                  |          |            |
| SAFETY & EMC (Note 7) | SAFETY STANDARDS  | UL60950-1, CB(IEC60950-1) approved  |            |                                  |                  |            |            |                  |            |            |                  |          |            |
|                       | WITHSTAND VOLTAGE   | I/P-O/P:3KVAC I/P-FG:2KVAC O/P-FG:0.5KVAC   |            |                                  |                  |            |            |                  |            |            |                  |          |            |
|                       | ISOLATION RESISTANCE  | I/P-O/P, I/P-FG, O/P-FG:100M Ohms / 500VDC / 25°C / 70% RH  |            |                                  |                  |            |            |                  |            |            |                  |          |            |
|                       | EMC EMISSION  | Compliance to EN55022 (CISPR22) Class B, EN61000-3-2,-3   |            |                                  |                  |            |            |                  |            |            |                  |          |            |
|                       | EMC IMMUNITY  | Compliance to EN61000-4-2,3,4,5,6,8,11, EN55024, EN61000-6-1, light industry level, criteria A                          |            |                                  |                  |            |            |                  |            |            |                  |          |            |
| OTHERS                | MTBF  | 361.6K hrs min. MIL-HDBK-217F (25°C)  |            |                                  |                  |            |            |                  |            |            |                  |          |            |
|                       | DIMENSION   | 159*97*38mm (L*W*H)   |            |                                  |                  |            |            |                  |            |            |                  |          |            |
|                       | PACKING   | 0.52Kg; 30pcs/16.6Kg/0.97CUFT   |            |                                  |                  |            |            |                  |            |            |                  |          |            |
| NOTE                  | <p>1. All parameters NOT specially mentioned are measured at 230VAC input, rated load and 25°C of ambient temperature.</p> <p>2. Ripple &amp; noise are measured at 20MHz of bandwidth by using a 12" twisted pair-wire terminated with a 0.1uF &amp; 47uF parallel capacitor.</p> <p>3. Tolerance : includes set up tolerance, line regulation and load regulation.</p> <p>4. Line regulation is measured from low line to high line at rated load.</p> <p>5. Load regulation is measured from 20% to 100% rated load, and other output at 60% rated load.</p> <p>6. Each output can work within current range. But total output power can't exceed rated output power.</p> <p>7. The power supply is considered a component which will be installed into a final equipment. The final equipment must be re-confirmed that it still meets EMC directives. For guidance on how to perform these EMC tests, please refer to "EMI testing of component power supplies."<br/>(as available on <a href="http://www.meanwell.com">http://www.meanwell.com</a>)</p> |   |            |                                  |                  |            |            |                  |            |            |                  |          |            |

**Mechanical Specification**

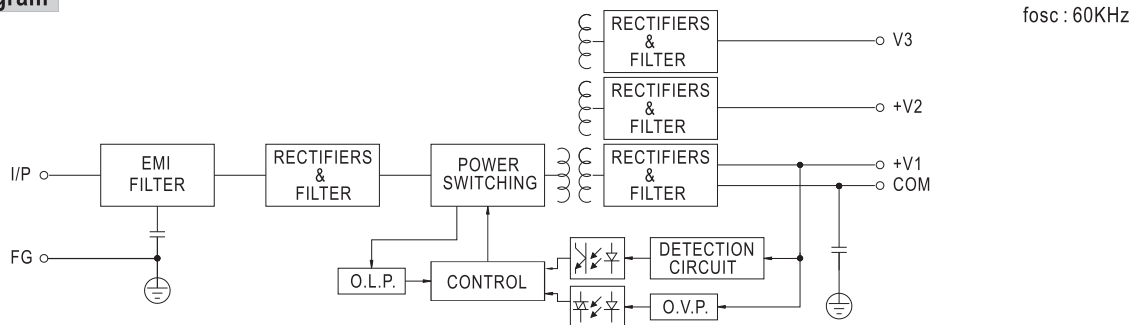
Case No. 901 Unit:mm



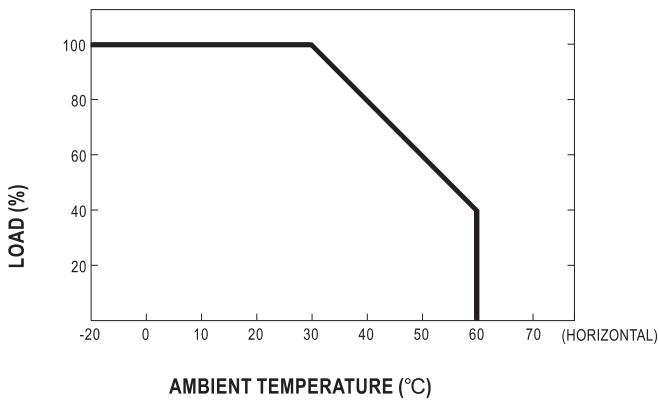
Terminal Pin No. Assignment

| Pin No. | Assignment   | Pin No. | Assignment    |
|---------|--------------|---------|---------------|
| 1       | AC/L         | 5       | DC OUTPUT +V2 |
| 2       | AC/N         | 6       | DC OUTPUT COM |
| 3       | FG $\perp$   | 7       | DC OUTPUT +V1 |
| 4       | DC OUTPUT V3 |         |               |

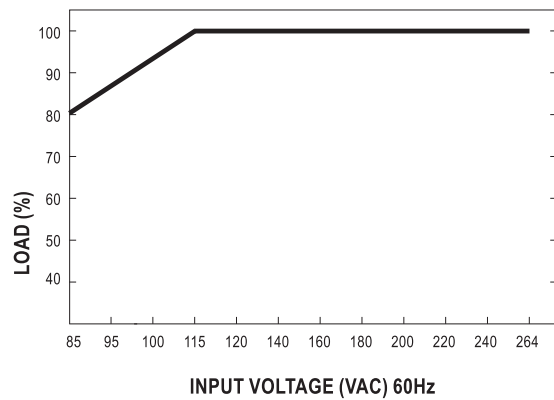
**Block Diagram**



**Derating Curve**



**Output Derating VS Input Voltage**



# Mouser Electronics

Authorized Distributor

Click to View Pricing, Inventory, Delivery & Lifecycle Information:

[Mean Well:](#)

[NET-75C](#) [NET-75D](#) [NET-75B](#) [NET-75A](#)