



## I-7188E4/I-7188E4D

Programmable Ethernet to 4x serial ports converter

### Features

- Incorporates any RS-232/485 serial device in Ethernet
- Data transmission via Virtual COM or raw TCP connection
- VxComm Driver for 32-bit and 64-bit Windows XP/2003/2008/Vista/7/8/10
- Built-in High-Performance MiniOS7 from ICP DAS
- Watchdog Timer suitable for use in harsh environments
- Palm-Sized with multiple Serial Ports
- Power Reverse Polarity Protection



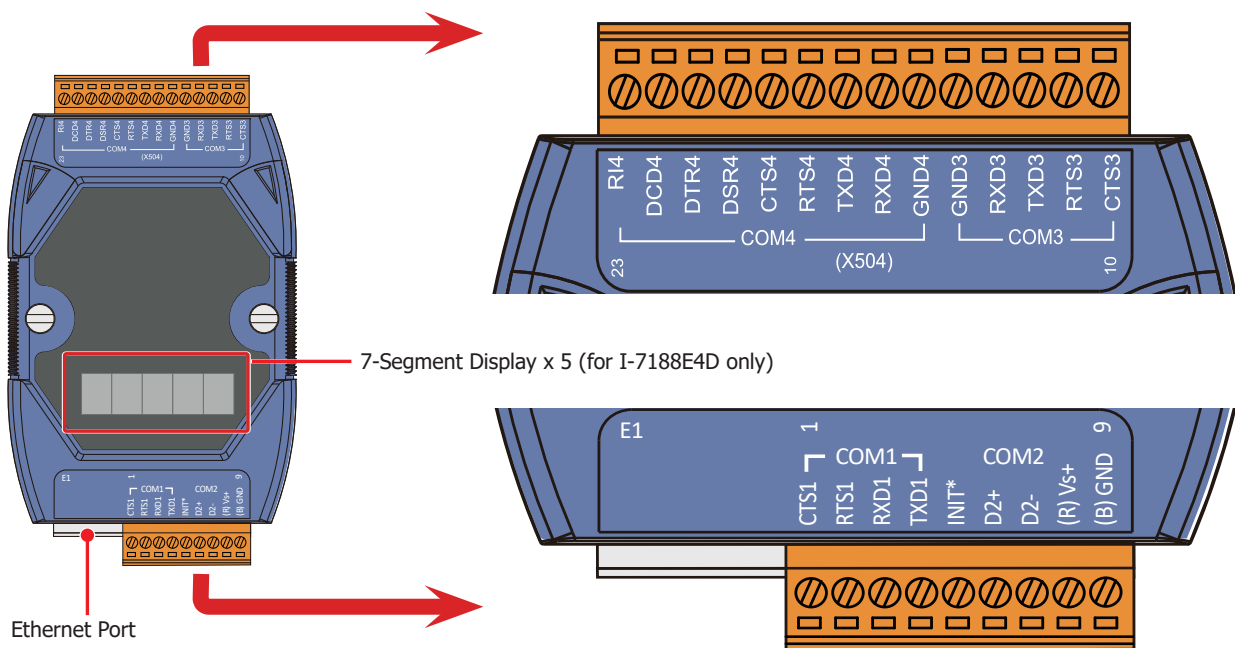
### Introduction

The I-7188EN series is a family of Programmable Device Servers, also known as "Serial-to-Ethernet gateway", that are designed for linking RS-232/422/485 devices to an Ethernet network. The user-friendly VxComm Driver/Utility allows users to easily turn the built-in COM ports of the I-7188EN series into standard COM ports on a computer. By virtue of its protocol independence, a small-core OS and high flexibility, the I-7188EN series is able to meet the demands of every network-enabled application.

The I-7188EN series includes a powerful and reliable Xserver programming structure that allows you to design your robust Ethernet applications in one day. The built-in high-performance MiniOS7 boots the I-7188EN up in just one second and gives you the fastest responses.

The I-7188E4(D) is equipped with 3 RS-232 ports and 1 RS-485 port. The removable on-board terminal block connector is designed for easy and robust wiring in industrial situations.

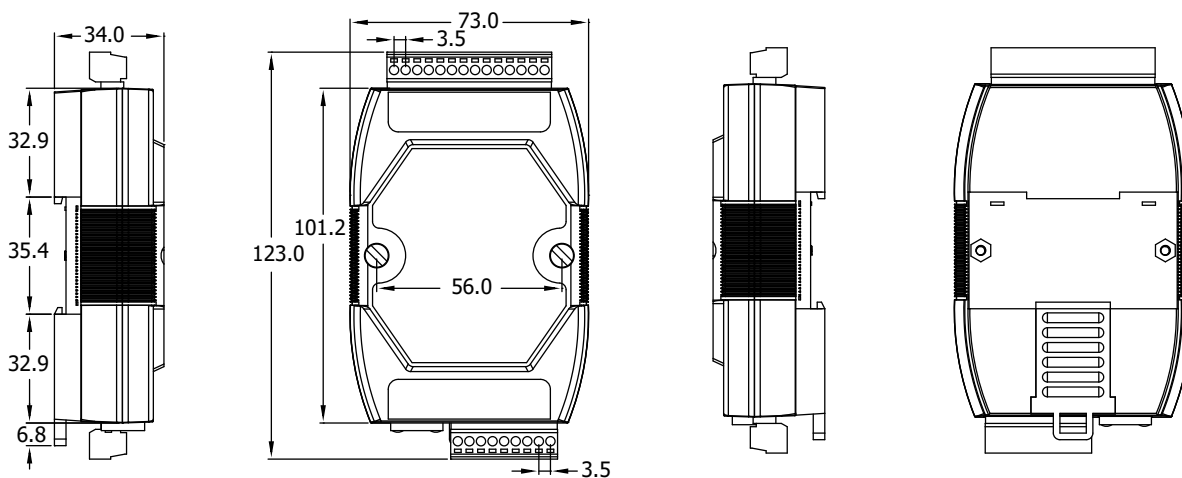
### Appearances



## Specifications

| Models                  | I-7188E4  | I-7188E4D |
|-------------------------|---|-----------|
| CPU Module              |   |           |
| CPU                     | 80188, 40MHz or compatible                          |           |
| SRAM                    | 384 KB  |           |
| Flash                   | 512 KB  |           |
| EEPROM                  | 2 KB  |           |
| Watchdog Timer          | 0.8 second  |           |
| Communication Interface |   |           |
| COM1                    | RS-232 (TXD, RXD, RTS, CTS, GND)                    |           |
| COM2                    | RS-485 (D+, D-)                                     |           |
| COM3                    | RS-232 (TXD, RXD, RTS, CTS, GND)                    |           |
| COM4                    | RS-232 (TXD, RXD, RTS, CTS, GND, DCD, DTR, DSR, RI) |           |
| Ethernet Port           | 10BASE-T NE2000 compatible Ethernet Controller      |           |
| COM Port Format         |   |           |
| Data Bit                | 7, 8  |           |
| Parity                  | Even, Odd, None                                     |           |
| Stop Bit                | 1   |           |
| Baud Rate               | 115200 bps Max.                                     |           |
| LED Indicator           |   |           |
| 7-Segment Display       | -   | Yes       |
| System LED Indicator    | Yes   |           |
| Mechanical              |   |           |
| Dimensions (W x L x H)  | 123 mm x 72 mm x 33 mm                              |           |
| Operating Environment   |   |           |
| Operating Temperature   | -25 °C to +75 °C                                    |           |
| Storage Temperature     | -40 °C to +80 °C                                    |           |
| Humidity                | 5 to 95 %,non-condensing                            |           |
| Power                   |   |           |
| Protection              | Power reverse polarity protection                   |           |
| Power requirement       | 10 to 30 VDC  |           |
| Power consumption       | 2 W   | 3 W       |

## ■ Dimensions (Units: mm)



Left Side View

Front View



Right Side View

Rear View

## ■ Ordering Information

|              |   |
|--------------|---|
| I-7188E4 CR  | Programmable Ethernet to 4x serial ports converter (3x RS-232, 1x RS-485) (RoHS)                  |
| I-7188E4D CR | Programmable Ethernet to 4x serial ports converter (3x RS-232, 1x RS-485) with LED display (RoHS) |

## ■ Accessories

|   |              |  |
|---|--------------|--|
|  | MDR-20-24 CR | 24 VDC/2.5 A, 60 W Power Supply with DIN-Rail Mounting (RoHS)                        |
|  | GPSU06U-6 CR | Power Supply, 110~240VAC or 127~230VDC to 24VDC/0.25A, 6 W, two pins USA plug (RoHS) |