

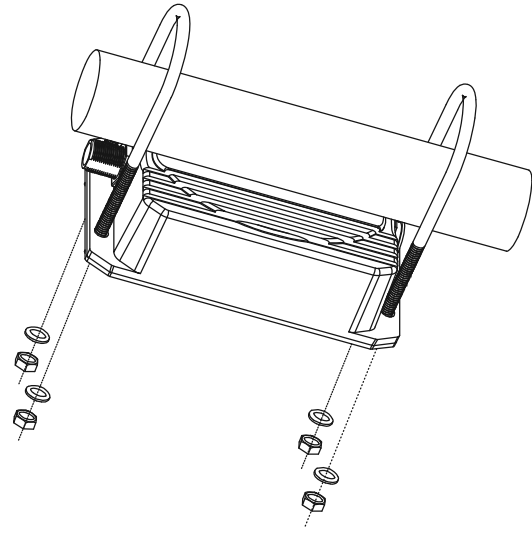
# IAP-W510/W512

## Industrial IP-67 Outdoor Access Point

### Quick Installation Guide

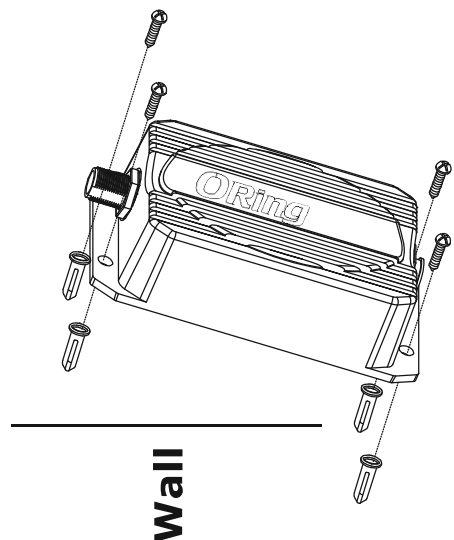
#### Installation

- Pole-mounted Install Step



**Pole**

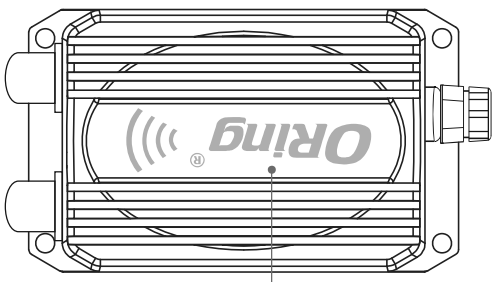
- Wall-mounted Install Step



**Wall**

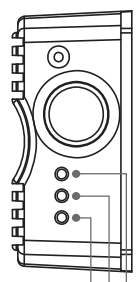
#### Front Panel

N-type RF connector  
(IAP-W512 only)



Built-in panel antenna  
(IAP-W510 only)

10/100 Base-T(x)  
RJ45



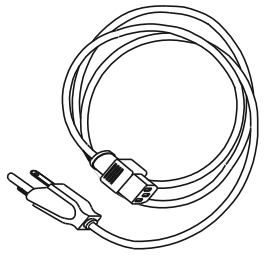
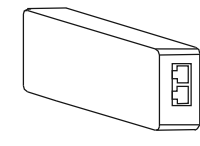
Power LED  
WLAN LED  
10/100 LAN Port LED

#### Accessory

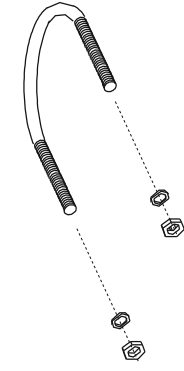
- ① RJ-45 Rubber Seal
- ② Tapping Screw
- ③ Anchor



- ④ Power Cord



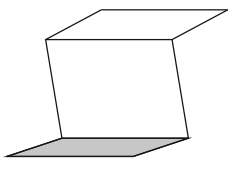
- ⑥ Pole-mounted kit



- ⑦ CD



- ⑧ QIG



- ⑨ N-type ANT. Rubber Seal



#### Packing list

Model name	Description	Accessory
IAP-W510_US	Industrial outdoor IEEE 802.11 a/n wireless access point with 1x10/100Base-T(X), IP-67 grade, US band	① X1, ④ X4, ④ X1, ④ X1, ④ X2, ④ X1, ④ X1
IAP-W510_EU	Industrial outdoor IEEE 802.11 a/n wireless access point with 1x10/100Base-T(X), IP-67 grade, EU band	① X1, ④ X4, ④ X4, ④ X1, ④ X1, ④ X2, ④ X1, ④ X1
IAP-W510_JP	Industrial outdoor IEEE 802.11 a/n wireless access point with 1x10/100Base-T(X), IP-67 grade, JP band	① X1, ④ X4, ④ X4, ④ X1, ④ X1, ④ X2, ④ X1, ④ X1
IAP-W512_US	Industrial outdoor IEEE 802.11 a/n wireless access point with 1x10/100Base-T(X), IP-67 grade, N-type antenna connector, US band	① X1, ④ X4, ④ X4, ④ X1, ④ X1, ④ X2, ④ X1, ④ X1, ④ X2
IAP-W512_EU	Industrial outdoor IEEE 802.11 a/n wireless access point with 1x10/100Base-T(X), IP-67 grade, N-type antenna connector, EU band	① X1, ④ X4, ④ X4, ④ X1, ④ X1, ④ X2, ④ X1, ④ X1, ④ X2
IAP-W512_JP	Industrial outdoor IEEE 802.11 a/n wireless access point with 1x10/100Base-T(X), IP-67 grade, N-type antenna connector, JP band	① X1, ④ X4, ④ X4, ④ X1, ④ X1, ④ X2, ④ X1, ④ X1, ④ X2