

# UPort® 204/207

## 4 and 7-port entry-level USB hubs



- > Hi-Speed USB 2.0 for up to 480 Mbps of USB transmission
- > USB-IF certification
- > Compatible with USB 1.1 devices
- > 15 kV ESD Level 4 protection for all USB ports
- > Wall mountable
- > Comprehensive diagnostic LEDs
- > Full 500 mA of power per port
- > Choose bus power or external power (UPort 204 only)



### Introduction

The UPort® 204 and UPort® 207 are entry-level USB 2.0 hubs that expand 1 USB port into 4 and 7 USB ports, respectively. The hubs are designed to provide true USB 2.0 Hi-Speed 480 Mbps data transmission through each port, even for heavy-load applications. The

UPort® 204/207 have received USB-IF Hi-Speed certification and are fully Plug & Play. 500 mA of power per port ensures that your USB devices will function properly and use of 12-40 VDC power makes them ideal for mobile applications. Externally USB hubs provide a broad USB device compatibility.

### USB-IF Certification

The UPort® 204/207 USB 2.0 entry-level USB hubs are USB-IF (USB Implementers Forum) certified. USB-IF verifies a number of strict electrical requirements for the Hi-Speed USB operation of USB hubs designed to the USB 2.0 specification. This means that the

UPort® 204/207 support Hi-Speed USB 2.0 for up to 480 Mbps USB transmission (fully compliant with interoperability requirements) has enough power for devices to function and provides for a successful transition back to high-speed operation from the suspend state.

### ESD Level 4 Protection

Electrostatic discharge (ESD) could be as severe as having more than one thousand volts of ESD with a high rise time (dv/dt) break through the junction layer of protective devices. In order to avoid serious

damage, Moxa's UPort® 204/207 USB hubs provide ESD level 4 (contact 8 kV, air 15 kV) protection, which increases the quality and value of the user's end-product.

### Specifications

#### USB Interface

- Compliance:** USB 1.1/2.0 compliant
- Upstream:** 1 USB port (Type B connector)
- Downstream:**
  - UPort 204: 4 USB ports, Type A connectors
  - UPort 207: 7 USB ports, Type A connectors
- Speed:** 480 Mbps (Hi-Speed USB) and 12 Mbps (Full-Speed USB)
- Supply Current:** 500 mA max. per channel

#### Physical Characteristics

- Housing:** Polycarbonate (PC)
- Weight:** (product only)
  - UPort 204: 800 g (1.76 lb)
  - UPort 207: 875 g (1.93 lb)
- Dimensions:**
  - UPort 204: 70 x 35 x 120 mm (2.76 x 1.38 x 4.72 in)
  - UPort 207: 80 x 35 x 185 mm (3.15 x 1.38 x 4.72 in)

#### Environmental Limits

- Operating Temperature:** 0 to 60°C (32 to 140°F)
- Storage Temperature:** -20 to 75°C (-4 to 167°F)
- Ambient Relative Humidity:** 5 to 95% (non-condensing)
- Altitude:** Up to 2000 m
- Note:** Please contact Moxa if you require products guaranteed to function properly at higher altitudes.

#### Standards and Certifications

- Safety:** UL 508, LVD
- EMC:** CE, FCC
- EMI:** EN 61000-3-2, EN 61000-3-3, EN 61000-6-2, EN 61000-6-4, FCC Part 15 Subpart B Class A
- EMS:** EN 61000-4-2, EN 61000-4-3, EN 61000-4-4, EN 61000-4-5, EN 61000-4-6, EN 61000-4-8, EN 61000-4-11
- Green Product:** RoHS, CRoHS, WEEE

#### Power Requirements

- Power Consumption:**
  - UPort 204: 1210 mA @ 12 VDC, 610 mA @ 24 VDC, 430 mA @ 36 VDC
  - UPort 207: 2170 mA @ 12 VDC, 1070 mA @ 24 VDC, 730 mA @ 36 VDC
- Input Voltage:** 12 to 40 VDC external power

#### MTBF (mean time between failures)

- Time:**
  - UPort 204: 1,577,573 hrs
  - UPort 207: 1,059,201 hrs
- Database:** Telcordia (Bellcore), GB

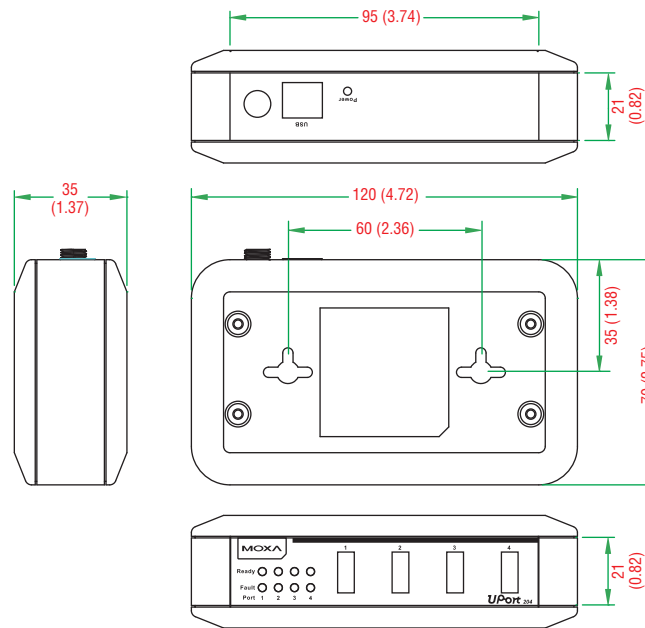
#### Warranty

- Warranty Period:** 5 years
- Details:** See [www.moxa.com/warranty](http://www.moxa.com/warranty)

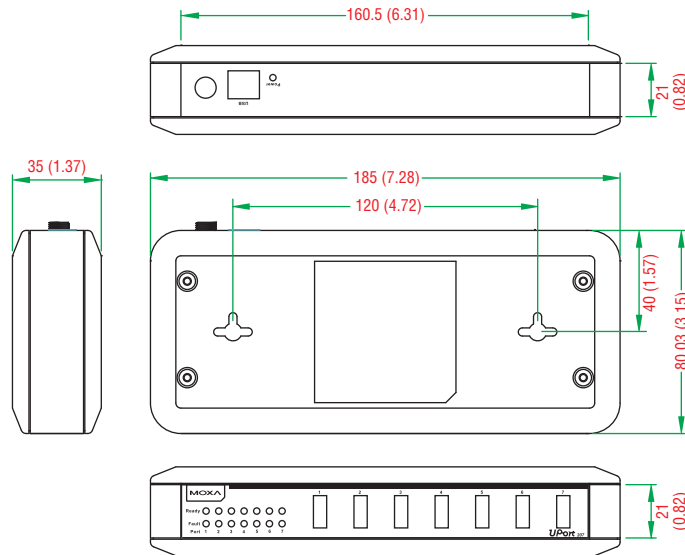
**Dimensions**

Unit: mm (inch)

**UPort® 204**



**UPort® 207**



**: Ordering Information**

**Available Models**

**UPort 204:** 4-port entry-level USB hub, adapter included

**UPort 207:** 7-port entry-level USB hub, adapter included

**Optional Accessories** (can be purchased separately)

**PWR-12300-WP-S1:** 100-240 VAC to 12 VDC @ 3 A power adapter

(Note: Power cord not included with power adapter)

**PWR-Plug-USJP-01:** US /JP plug, 2-pin power cord

**PWR-Plug-UK-01:** UK plug, 2-pin power cord

**PWR-Plug-EU-01:** EU plug, 2-pin power cord

**PWR-Plug-AU-01:** SAA plug, 2-pin power cord

**PWR-Plug-CN-01:** CN plug, 2-pin power cord

**Package Checklist**

- 1 UPort 204 or UPort 207 entry-level USB hub
- USB-IF certified cable
- Power adapter
- Quick installation guide (printed)
- Warranty card