



■ Features :

- High efficiency 94% and low power dissipation
- 150% peak load capability
- Built-in active PFC function, PF>0.94
- Protections: Short circuit / Overload / Over voltage / Over temperature
- Cooling by free air convection
- Built-in constant current limiting circuit
- Can be installed on DIN rail TS-35/7.5 or 15
- UL 508(industrial control equipment)approved
- EN61000-6-2(EN50082-2) industrial immunity level
- Built-in DC OK relay contact
- 100% full load burn-in test
- 3 years warranty

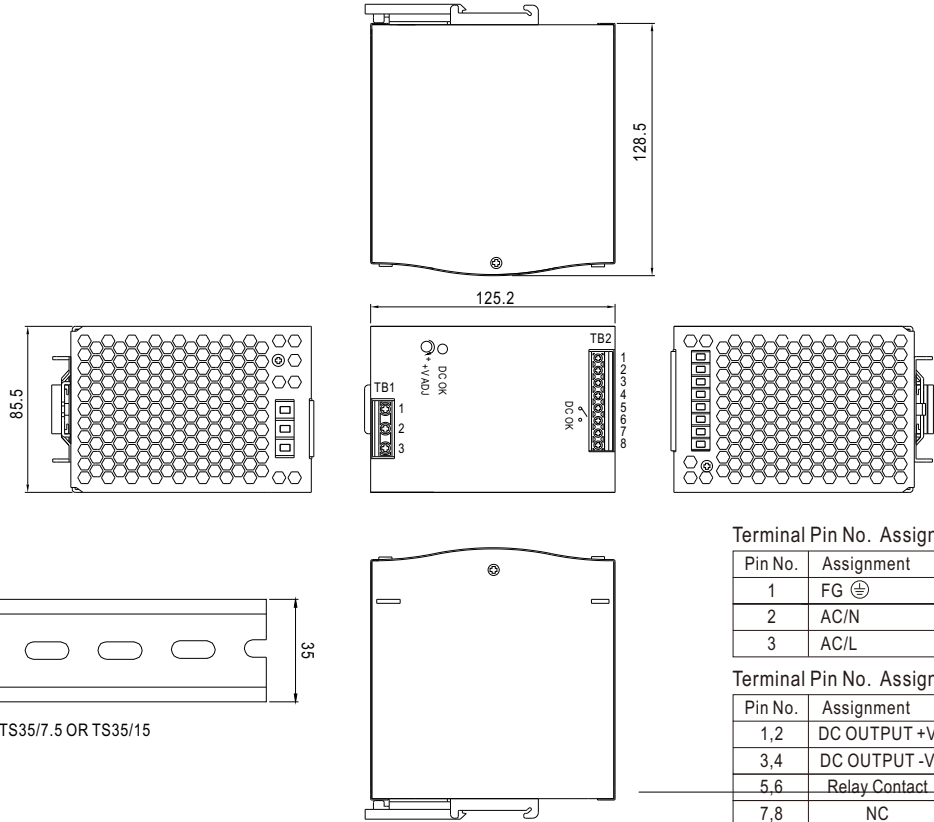


**SPECIFICATION**

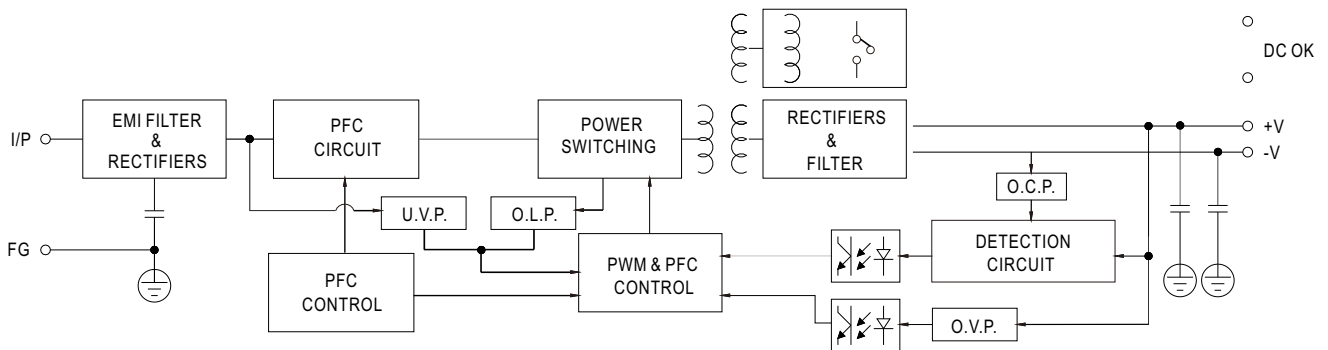
| MODEL                                |  | SDR-480-24   | SDR-480-48 |
|--------------------------------------|--|--|------------|
| OUTPUT                               | DC VOLTAGE   | 24V  | 48V        |
|                                      | RATED CURRENT  | 20A  | 10A        |
|                                      | CURRENT RANGE  | 0 ~ 20A  | 0 ~ 10A    |
|                                      | RATED POWER  | 480W   | 480W       |
|                                      | PEAK CURRENT   | 30A  | 15A        |
|                                      | PEAK POWER <small>Note.6</small>   | 720W (3sec.)   |            |
|                                      | RIPPLE & NOISE (max.) <small>Note.2</small>  | 100mVp-p   | 120mVp-p   |
|                                      | VOLTAGE ADJ. RANGE   | 24 ~ 28V   | 48 ~ 55V   |
|                                      | VOLTAGE TOLERANCE <small>Note.3</small>  | ± 1.2%   | ± 1.0%     |
|                                      | LINE REGULATION  | ± 0.5%   | ± 0.5%     |
|                                      | LOAD REGULATION  | ± 1.0%   | ± 1.0%     |
|                                      | SETUP, RISE TIME   | 1500ms, 150ms/230VAC      3000ms, 150ms/115VAC at full load  |            |
| HOLD UP TIME (Typ.)                  | 14ms/230VAC at full load   |  |            |
| INPUT                                | VOLTAGE RANGE <small>Note.7</small>  | 90 ~ 264VAC      127 ~ 370VDC  |            |
|                                      | FREQUENCY RANGE  | 47 ~ 63Hz  |            |
|                                      | POWER FACTOR (Typ.)  | 0.94/230VAC      0.99/115VAC at full load  |            |
|                                      | EFFICIENCY (Typ.)  | 94%  |            |
|                                      | AC CURRENT (Typ.)  | 5A/115VAC      2.5A/230VAC   |            |
|                                      | INRUSH CURRENT (Typ.)  | 40A/115VAC      80A/230VAC   |            |
|                                      | LEAKAGE CURRENT  | <0.8mA / 240VAC  |            |
| PROTECTION                           | OVERLOAD   | Normally works within 110 ~ 150% rated output power for more than 3 seconds and then shut down o/p voltage with auto-recovery<br>>150% rated power, constant current limiting with auto-recovery within 2 seconds and may cause to shut down if over 2 seconds |            |
|                                      | OVER VOLTAGE   | 29 ~ 33V   | 56 ~ 65V   |
|                                      | OVER TEMPERATURE   | 105°C ± 5°C (TSW : detect on heatsink of power switch)<br>Protection type : Shut down o/p voltage, recovers automatically after temperature goes down  |            |
| FUNCTION                             | DC OK REALY CONTACT RATINGS (max.)   | 60Vdc/0.3A, 30Vdc/1A, 30Vac/0.5A resistive load  |            |
| ENVIRONMENT                          | WORKING TEMP. <small>Note.5</small>  | -25 ~ +70°C (Refer to "Derating Curve")  |            |
|                                      | WORKING HUMIDITY   | 20 ~ 95% RH non-condensing   |            |
|                                      | STORAGE TEMP., HUMIDITY  | -40 ~ +85°C, 10 ~ 95% RH   |            |
|                                      | TEMP. COEFFICIENT  | ± 0.03%/°C (0 ~ 50°C)  |            |
|                                      | VIBRATION  | Component:10 ~ 500Hz, 2G 10min./1cycle, 60min. each along X, Y, Z axes; Mounting: Compliance to IEC60068-2-6   |            |
| SAFETY & EMC <small>(Note 4)</small> | SAFETY STANDARDS   | UL508, TUV EN60950-1 approved  |            |
|                                      | WITHSTAND VOLTAGE  | I/P-O/P:3KVAC    I/P-FG:2KVAC    O/P-FG:0.5KVAC    O/P-DC OK:0.5KVAC   |            |
|                                      | ISOLATION RESISTANCE   | I/P-O/P, I/P-FG, O/P-FG:>100M Ohms / 500VDC / 25°C / 70% RH  |            |
|                                      | EMC EMISSION   | Compliance to EN55011, EN55022 (CISPR22), EN61204-3 Class B, EN61000-3-2,-3  |            |
|                                      | EMC IMMUNITY   | Compliance to EN61000-4-2,3,4,5,6,8,11, EN55024, EN61000-6-2 (EN50082-2), EN61204-3, heavy industry level, criteria A, SEMI F47, GL approved   |            |
| OTHERS                               | MTBF   | 112.9K hrs min.    MIL-HDBK-217F (25°C)  |            |
|                                      | DIMENSION  | 85.5*125.2*128.5mm (W*H*D)   |            |
|                                      | PACKING  | 1.6Kg; 8pcs/13.8Kg/0.9CUFT   |            |
| NOTE                                 | <ol style="list-style-type: none"> <li>1. All parameters NOT specially mentioned are measured at 230VAC input, rated load and 25°C of ambient temperature.</li> <li>2. Ripple &amp; noise are measured at 20MHz of bandwidth by using a 12" twisted pair-wire terminated with a 0.1uf &amp; 47uf parallel capacitor.</li> <li>3. Tolerance : includes set up tolerance, line regulation and load regulation.</li> <li>4. The power supply is considered a component which will be installed into a final equipment. The final equipment must be re-confirmed that it still meets EMC directives.</li> <li>5. Installation clearances : 40mm on top, 20mm on the bottom, 5mm on the left and right side are recommended when loaded permanently with full power. In case the adjacent device is a heat source, 15mm clearance is recommended.</li> <li>6. 3 seconds peak power max. and the average output power should not exceed the rate power.</li> <li>7. Derating may be needed under low input voltage. Please check the derating curve for more details.</li> </ol> |  |            |

**Mechanical Specification**

Case No.984A Unit:mm



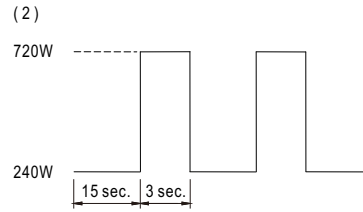
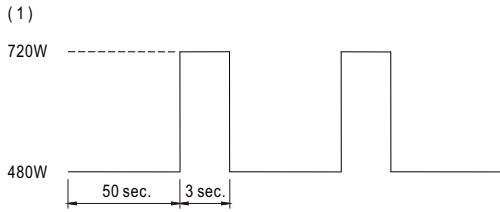
**Block Diagram**



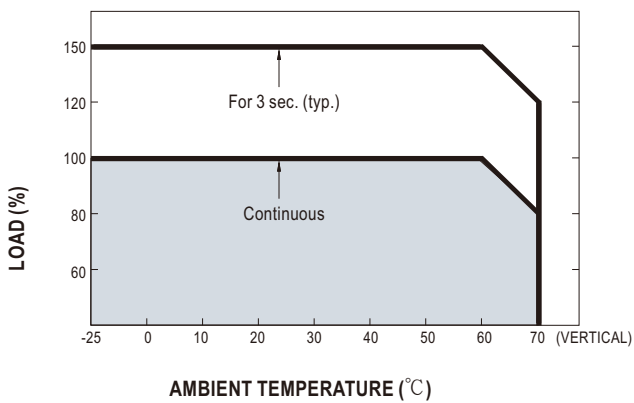
**DC OK Relay Contact**

|                        |                          |
|------------------------|--------------------------|
| Contact Close          | PSU turns on / DC OK.    |
| Contact Open           | PSU turns off / DC Fail. |
| Contact Ratings (max.) | 30V/1A resistive load.   |

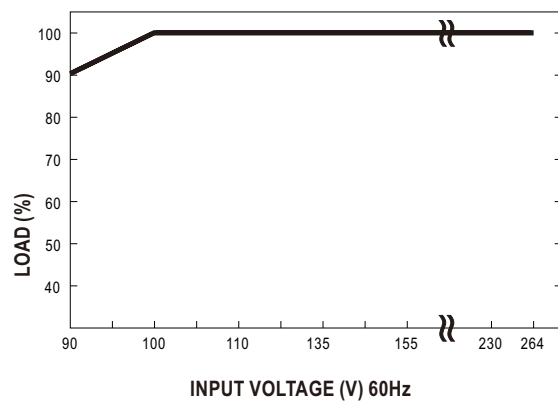
■ Peak Loading



■ Derating Curve



■ Output derating VS input voltage



# Mouser Electronics

Authorized Distributor

Click to View Pricing, Inventory, Delivery & Lifecycle Information:

[Mean Well:](#)

[SDR-480-24](#) [SDR-480-48](#)