



- Features :
- AC input range selected by switch
- With +5VSB:0 ~ 0.75A max.
- Power good signal output
- Power fail signal output
- High efficiency
- Forced air cooling by built-in DC fan
- 100% full load burn-in test
- Low cost
- Approvals: CSA / CB / FCC / CE
- 1 year warranty

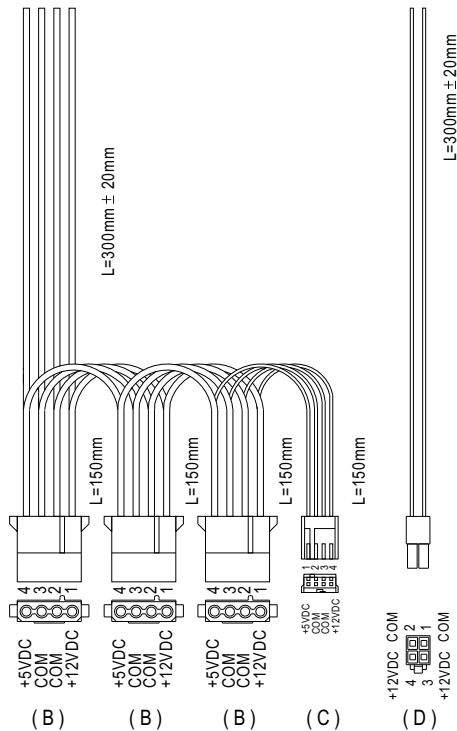
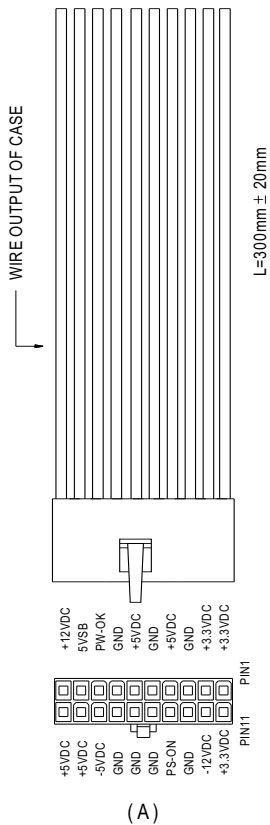
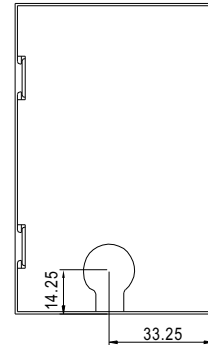
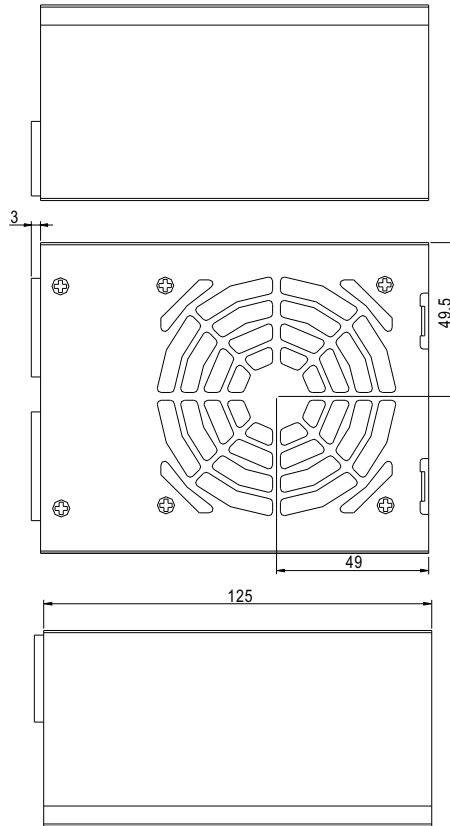
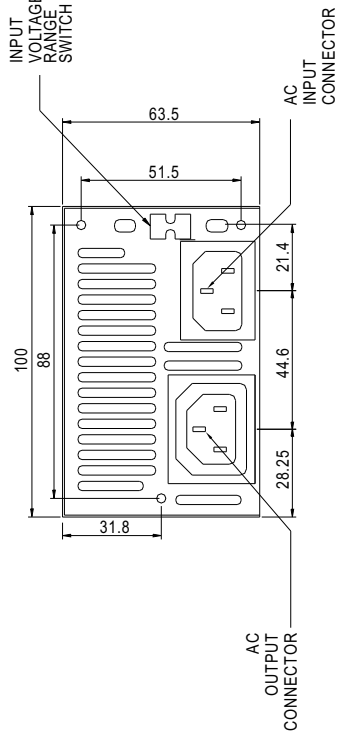


SPECIFICATION

MODEL	CH1	CH2	CH3	CH4	STANDBY	
OUTPUT	DC VOLTAGE	3.3V	5V	12V	-12V	5VSB
	MINIMUM CURRENT	1.2A	1.0A	0.1A	0.1A	0A
	MAXIMUM CURRENT	6.0A	12A	5.0A	0.3A	0.75A
	RATED POWER (max.)	150W continue				
	RIPPLE & NOISE (max.) Note.2	50mVp-p	50mVp-p	120mVp-p	120mVp-p	50mVp-p
	LINE REGULATION	±1%	±1%	±1%	±2%	±1%
	LOAD REGULATION Note.3	±5%	±5%	±5%	±10%	±5%
	HOLD UP TIME	16ms min. at full load				
AC VOLTAGE	115 / 230VAC 1 / 0.5A					
INPUT	VOLTAGE RANGE	100 ~ 132VAC/ 200 ~ 264VAC selected by switch				
	FREQUENCY RANGE	47 ~ 63Hz				
	EFFICIENCY (Typ.)	70%				
	AC CURRENT	4.0A / 115VAC 2.0A / 230VAC				
	INRUSH CURRENT (max.)	40A / 115VAC 80A / 230VAC				
	LEAKAGE CURRENT(max.)	3.5mA / 240VAC				
PROTECTION	OVERLOAD	105 ~ 150% rated output power Protection type : Shut down o/p voltage, re-power on to recover				
	SHORT CIRCUIT	All output equipped with short circuit Protection type : Shut down o/p voltage, re-power on to recover				
FUNCTION	POWER GOOD SIGNAL	The TTL compatible signal out with 100ms to 500ms delay after power set up				
	POWER FAIL SIGNAL	The TTL compatible signal will go down at least 1ms before +5V below 4.7V				
	PS-ON INPUT SIGNAL	Power on: PS-ON = "Low" or "<0.8V" ; Power off: PS-ON = "Hi" or ">2V"				
ENVIRONMENT	WORKING TEMP.	-10 ~ +40°C				
	WORKING HUMIDITY	20 ~ 90% RH non-condensing				
	STORAGE TEMP., HUMIDITY	-20 ~ +85°C, 10 ~ 95% RH				
	TEMP. COEFFICIENT	±0.05% / °C (0 ~ 50°C)				
	VIBRATION	10 ~ 200Hz, 2G 10min./1cycle, 60min. each along X, Y, Z axes				
SAFETY & EMC (Note 4)	SAFETY STANDARDS	UL1950, CSA22.2 approved				
	WITHSTAND VOLTAGE	I/P-O/P, I/P-FG:1.5KVAC				
	ISOLATION RESISTANCE	I/P-O/P, I/P-FG:50M Ohms / 500VDC / 25°C / 70% RH				
	EMI CONDUCTION & RADIATION	Compliance to EN55022 (CISPR22) Class B, FCC part 15 class B				
	HARMONIC CURRENT	Compliance to EN61000-3-2,-3				
	EMS IMMUNITY	Compliance to EN61000-4-2,3,4, light industry level, criteria A				
OTHERS	MTBF	100K hrs min. MIL-HDBK-217F (25°C)				
	CONNECTOR	ATX main power connector * 1ea ; Peripheral power connector * 3 ea ; Floppy drive power connector * 1 ea +12V power connector * 1ea				
	COOLING	Forced air ventilation by 8cm DC fan				
	DIMENSION	125*100*64mm (L*W*H)				
	PACKING	0.7kg; 20pcs / 19kg / CARTON				
NOTE	<ol style="list-style-type: none"> 1. All parameters NOT specially mentioned are measured at 230VAC input, rated load and 25°C of ambient temperature. 2. Ripple & noise are measured at 20MHz of bandwidth by using a 12" twisted pair-wire terminated with a 0.1uf & 47uf parallel capacitor. 3. Load regulation is measured from 20% to 100% max. Load. 4. The power supply is considered a component which will be installed into a final equipment. The final equipment must be re-confirmed that it still meets EMC directives. 					

Mechanical Specification

Unit:mm



- (A) ATX main power connector
Type: MOLEX 39-01-2200 or equivalent
- (B) Peripheral connector
Type: MOLEX 8981-04P or equivalent
- (C) FLOPPY drive connector
Type: AMP 171822-4 or equivalent
- (D) +12V power connector
Type: MOLEX 39-01-2040 or equivalent