



30W Triple Output Switching Power Supply

T-30 series



■ Features :

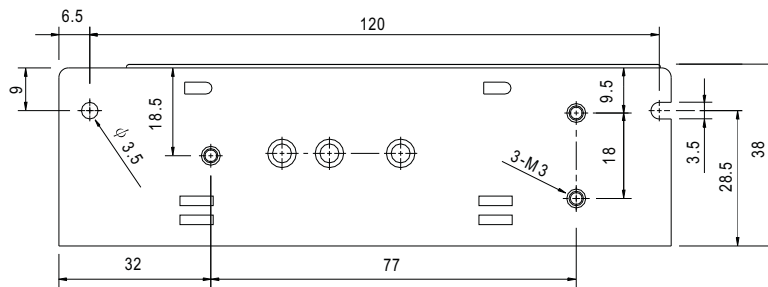
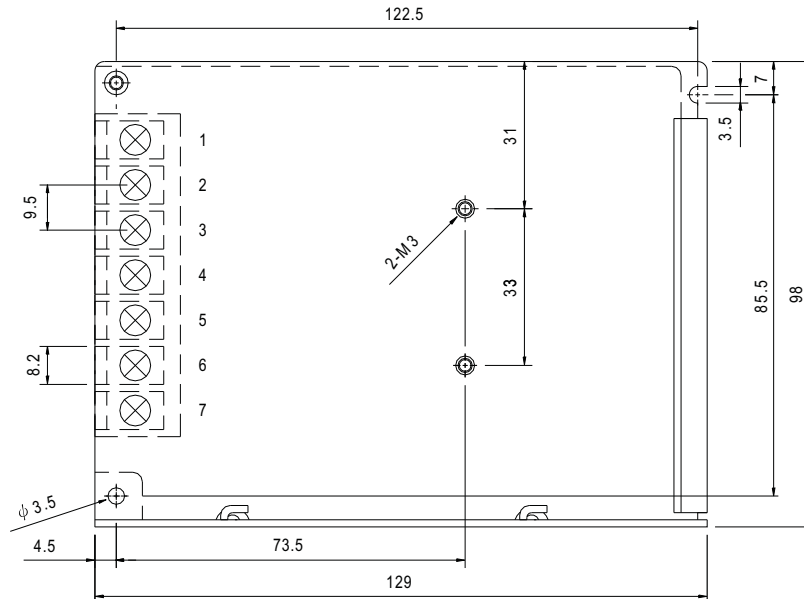
- AC input range selected by switch
- Protections: Short circuit/Over load
- Cooling by free air convection
- LED indicator for power on
- Fixed switching frequency at 23KHz
- 1 year warranty

SPECIFICATION

| MODEL | | T-30A | | | T-30B | | |
|----------------------------|---|--|----------|----------------|-------------------|----------------|------------|
| OUTPUT | DC VOLTAGE | 5V | 12V | -5V | 5V | 12V | -12V |
| | RATED CURRENT | 3A | 1A | 0.5A | 3A | 1A | 0.5A |
| | CURRENT RANGE | 0.5 ~ 3A | 0.1 ~ 1A | 0.1 ~ 0.5A | 0.5 ~ 3A | 0.1 ~ 1A | 0.1 ~ 0.5A |
| | RATED POWER | 30W | | | 33W | | |
| | RIPPLE & NOISE (max.) Note.2 | 50mVp-p | 100mVp-p | 50mVp-p | 50mVp-p | 100mVp-p | 100mVp-p |
| | VOLTAGE ADJ. RANGE | CH1 : 4.75 ~ 5.5V | | | CH1 : 4.75 ~ 5.5V | | |
| | VOLTAGE TOLERANCE Note.3 | ±2.0% | + 2,-6% | +2,-10% | ±2.0% | + 2,-6% | ±6.0% |
| | LINE REGULATION | ±0.5% | ±1.0% | ±1.0% | ±0.5% | ±1.0% | ±1.0% |
| | LOAD REGULATION | ±0.5% | ±5.0% | ±5.0% | ±0.5% | ±5.0% | ±5.0% |
| SETUP, RISE, HOLD TIME | 200ms, 100ms, 30ms at full load | | | | | | |
| INPUT | VOLTAGE RANGE | 85 ~ 132VAC / 170 ~ 264VAC selected by switch | | | 240 ~ 370VDC | | |
| | FREQUENCY RANGE | 47 ~ 63Hz | | | | | |
| | EFFICIENCY(Typ.) | 70% | | | 72% | | |
| | AC CURRENT | 0.8A/115VAC | | 0.45A/230VAC | | | |
| | INRUSH CURRENT(max.) | COLD START 18A/115VAC | | 36A/230VAC | | | |
| | LEAKAGE CURRENT | <0.75mA / 240VAC | | | | | |
| PROTECTION | OVER LOAD | 105 ~ 150% rated output power | | | | | |
| | | Protection type : Fold back current limiting, recovers automatically after fault condition is removed. | | | | | |
| ENVIRONMENT | WORKING TEMP. | -10 ~ +60°C (Refer to output load derating curve) | | | | | |
| | WORKING HUMIDITY | 20 ~ 90% RH non-condensing | | | | | |
| | STORAGE TEMP., HUMIDITY | -20 ~ +85°C, 10 ~ 95% RH | | | | | |
| | TEMP. COEFFICIENT | ±0.03%/°C (0 ~ 50°C) on +5V output | | | | | |
| | VIBRATION | 10 ~ 500Hz, 2G 10min./1cycle, period for 60min. each along X, Y, Z axes | | | | | |
| SAFETY & EMC | SAFETY STANDARDS | Design refer to UL1012 | | | | | |
| | WITHSTAND VOLTAGE | I/P-O/P:1.5KVAC | | I/P-FG:1.5KVAC | | O/P-FG:0.5KVAC | |
| | ISOLATION RESISTANCE | I/P-O/P, I/P-FG, O/P-FG:100M Ohms/500VDC | | | | | |
| EMI CONDUCTION & RADIATION | | Design refer to FCC Part15 J Conduction Class A | | | | | |
| OTHERS | MTBF | 463.1K hrs min. MIL-HDBK-217F (25°C) | | | | | |
| | DIMENSION | 129*98*38mm (L*W*H) | | | | | |
| | PACKING | 0.42Kg; 30pcs/13.6Kg/0.86CUFT | | | | | |
| NOTE | 1. All parameters NOT specially mentioned are measured at 230VAC input, rated load and 25°C of ambient temperature. 2. Ripple & noise are measured at 20MHz of bandwidth by using a 12" twisted pair-wire terminated with a 0.1uf & 47uf parallel capacitor. 3. Tolerance : includes set up tolerance, line regulation and load regulation. | | | | | | |

Mechanical Specification

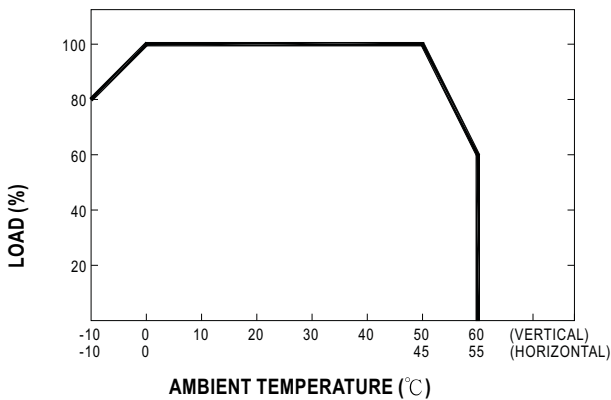
Case No. 903 Unit:mm



Terminal Pin. No Assignment

| Pin No. | Assignment | Pin No. | Assignment | Pin No. | Assignment |
|---------|------------|---------|---------------|---------|---------------|
| 1 | AC/L | 4 | DC OUTPUT -V | 7 | DC OUTPUT +V1 |
| 2 | AC/N | 5 | DC OUTPUT +V2 | | |
| 3 | FG \perp | 6 | DC OUTPUT COM | | |

Output Derating



Static Characteristics (B)

