

# Specifications

**SSR-4-IAC-05**



**MEASUREMENT  
COMPUTING™**

Document Revision 1.1, December, 2006  
© Copyright 2006, Measurement Computing Corporation

---

# Specifications

Typical for 25 °C unless otherwise specified.

## General characteristics

Table 1. General characteristics

Parameter	Conditions	Specification
Type		Quad AC input
Isolation voltage		4000 Vrms
Capacitance input to output		8 pF
Line frequency range		47 to 63 Hz

## Input

Table 2. Input specifications

Parameter	Conditions	Specification
Nominal input voltage		120 Vrms / VDC
Input voltage range		90 to 140 Vrms / VDC
Input current	Input voltage = nominal	10 mA rms
Drop out current		2.5 mA rms
Allowable off-state current		3 mA rms
Allowable off-state voltage		50 Vrms / VDC

## Output

Table 3. Output and logic circuit specifications

Parameter	Conditions	Specification
Nominal logic supply voltage	Vcc	5 VDC
Logic voltage range	Vcc	4.5 to 6 VDC
Typical logic supply current	Logic voltage = nominal	10 mA
Maximum logic supply current	Logic voltage = maximum	14.5 mA
Maximum logic supply leakage current	Logic voltage = maximum	20 $\mu$ A
Maximum output voltage		30 VDC
Maximum output current		50 mA
Maximum output leakage current	Logic voltage = maximum	20 $\mu$ A
Maximum output voltage drop	Maximum output current	200 mV
Maximum turn-on time	AC	20 mS
Maximum turn-off time	AC	30 mS
Maximum turn-on time	DC	1 mS
Maximum turn-off time	DC	1 mS

## Environmental

Table 4. Environmental specifications

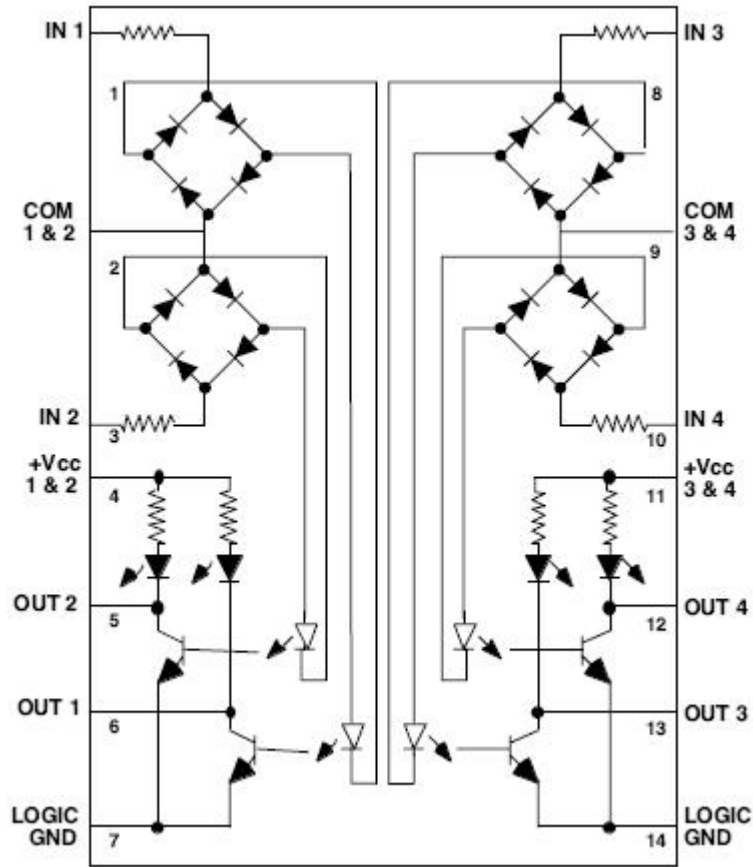
Operating temperature range	-30 to 80 °C
Storage temperature range	-40 to 100 °C

## Mechanical

Table 5. Mechanical specifications

Dimensions	1.88" (47.7 mm) L x 1.06" (26.9 mm) W x 3.08" (78.2 mm) H
------------	---

## Block diagram and pin out



**Measurement Computing Corporation**  
**10 Commerce Way**  
**Suite 1008**  
**Norton, Massachusetts 02766**  
**(508) 946-5100**  
**Fax: (508) 946-9500**  
**E-mail: [info@mccdaq.com](mailto:info@mccdaq.com)**  
**[www.mccdaq.com](http://www.mccdaq.com)**