



### POWER SUPPLY

- 3AC 380-480V Wide-range Input
- Also Specified for 2-Phase Operation
- Extra Long Lifetime
- 95% Full Load and Excellent Partial Load Efficiencies
- Width only 65mm, Weight only 870g
- 50% BonusPower®, 720W for up to 4s
- Active Power Factor Correction PFC
- Active Filtering of Input Transients
- Full Power Between -25°C and +60°C
- Extremely Low Input Inrush Current Surge
- DC-OK Relay Contact
- Quick-connect Spring-clamp Terminals
- 3 Year Warranty

### GENERAL DESCRIPTION

The most outstanding features of the DIMENSION Q-Series DIN-rail power supplies are the extremely high efficiencies and the compact sizes which are achieved by a synchronous rectification and other unique design details.

Large power reserves of 150% support the starting of heavy loads such as DC-motors or capacitive loads. In many cases this allows the use of a unit from a lower wattage class which saves space and money.

High immunity to transients and power surges as well as low electromagnetic emission makes usage in nearly every environment possible.

The integrated output power manager and virtually no input inrush current make installation and usage simple with no jumper and switches necessary. Diagnostics are easy due to the DC-ok relay, a green DC-OK LED and the red overload LED.

Unique quick-connect spring-clamp terminals allow a safe and fast installation and a large international approval package for a variety of applications makes this unit suitable for nearly every application.

### SHORT-FORM DATA

|                   |                |                   |
|-------------------|----------------|-------------------|
| Output voltage    | DC 24V         | nominal           |
| Adjustment range  | 24 - 28V       |                   |
| Output current    | 20 - 17.5A     | continuous        |
|                   | 30 - 26A       | short term (4s)   |
| Output power      | 480W           | continuous        |
|                   | 720W           | short term (4s)   |
| Output ripple     | < 100mVpp      | 20Hz to 20MHz     |
| Input voltage     | 3AC 380-480V   | ±15%              |
| Mains frequency   | 50-60Hz        | ±6%               |
| AC Input current  | 0.79 / 0.65A   | at 3x400 / 480Vac |
| Power factor      | 0.94 / 0.95    | at 3x400 / 480Vac |
| AC Inrush current | 3A peak        |                   |
| Efficiency        | 95.0 / 94.8%   | at 3x400 / 480Vac |
| Losses            | 25.3 / 26.4W   | at 3x400 / 480Vac |
| Temperature range | -25°C to +70°C | operational       |
| Derating          | 12W/°C         | +60 to +70°C      |
| Hold-up time      | 22 / 22ms      | at 3x400 / 480Vac |
| Dimensions        | 65x124x127mm   | WxHxD             |
| Weight            | 870g / 1.92lb  |                   |

### ORDER NUMBERS

|              |                    |  |
|--------------|--------------------|--|
| Power Supply | <b>QT20.241</b>    | 24-28V Standard unit                       |
|              | <b>QT20.241-C1</b> | 24-28V Unit with conformal coated pc board |
| Accessory    | ZM1.WALL           | Wall mount bracket                         |
|              | ZM14.SIDE          | Side mount bracket                         |
|              | UF20.241           | Buffer unit                                |
|              | YR40.241           | Redundancy module                          |

### MARKINGS





### INDEX

|   | Page |  | Page |
|---|------|--|------|
| 1. Intended Use .....                   | 3    | 21. Accessories .....                            | 18   |
| 2. Installation Requirements.....       | 3    | 21.1. ZM1.WALL – Wall/Panel mounting.....        | 18   |
| 3. AC-Input.....                        | 4    | 21.2. ZM14.SIDE - Side Mounting Bracket.....     | 19   |
| 4. Input Inrush Current .....           | 5    | 21.3. UF20.241 - Buffer module .....             | 20   |
| 5. DC-Input.....                        | 5    | 21.4. YR40.241 - Redundancy Module.....          | 20   |
| 6. Output .....                         | 6    | 22. Application Notes.....                       | 21   |
| 7. Hold-up Time.....                    | 8    | 22.1. Repetitive Pulse Loading.....              | 21   |
| 8. DC-OK Relay Contact .....            | 8    | 22.2. Peak Current Capability .....              | 22   |
| 9. Efficiency and Power Losses.....     | 9    | 22.3. External Input Protection.....             | 22   |
| 10. Lifetime Expectancy and MTBF.....   | 10   | 22.4. Using only 2 Legs of a 3-Phase System .... | 23   |
| 11. Functional Diagram.....             | 10   | 22.5. Charging of Batteries .....                | 23   |
| 12. Terminals and Wiring.....           | 11   | 22.6. Output Circuit Breakers.....               | 24   |
| 13. Front Side and User Elements.....   | 12   | 22.7. Series Operation .....                     | 24   |
| 14. EMC.....                            | 13   | 22.8. Parallel Use to Increase Output Power....  | 25   |
| 15. Environment.....                    | 14   | 22.9. Parallel Use for Redundancy .....          | 25   |
| 16. Protection Features .....           | 15   | 22.10. Inductive and Capacitive Loads.....       | 25   |
| 17. Safety Features.....                | 15   | 22.11. Back-feeding Loads .....                  | 26   |
| 18. Dielectric Strength .....           | 16   | 22.12. Use in a Tightly Sealed Enclosure .....   | 26   |
| 19. Approvals.....                      | 16   | 22.13. Mounting Orientations .....               | 27   |
| 20. Physical Dimensions and Weight..... | 17   |  |      |

The information given in this document is correct to the best of our knowledge and experience at the time of publication. If not expressly agreed otherwise, this information does not represent a warranty in the legal sense of the word. As the state of our knowledge and experience is constantly changing, the information in this data sheet is subject to revision. We therefore kindly ask you to always use the latest issue of this document (available under [www.pulspower.com](http://www.pulspower.com)). No part of this document may be reproduced or utilized in any form without our prior permission in writing.

Some parts of this unit are patent by PULS (US patent No 091662,063, Des. 424,529, ...).

### TERMINOLOGY AND ABBREVIATIONS

|  |   |
|--|---|
| <b>PE and  symbol</b> | PE is the abbreviation for <b>Protective Earth</b> and has the same meaning as the symbol  .                                   |
| <b>Earth, Ground</b>   | This document uses the term "earth" which is the same as the U.S. term "ground".  |
| <b>T.B.D.</b>  | To be defined, value or description will follow later.  |
| <b>AC 400V</b>   | A figure displayed with the AC or DC before the value represents a nominal voltage with standard tolerances included.<br>E.g.: DC 12V describes a 12V battery disregarding whether it is full (13.7V) or flat (10V) |
| <b>400Vac</b>  | A figure with the unit (Vac) at the end is a momentary figure without any additional tolerances included.   |
| <b>50Hz vs. 60Hz</b>   | As long as not otherwise stated, AC 230V parameters are valid at 50Hz mains frequency.  |
| <b>may</b>   | A key word indicating flexibility of choice with no implied preference.   |
| <b>shall</b>   | A key word indicating a mandatory requirement.  |
| <b>should</b>  | A key word indicating flexibility of choice with a strongly preferred implementation.   |

## 1. INTENDED USE

This device is designed for installation in an enclosure and is intended for the general professional use such as in industrial control, office, communication, and instrumentation equipment.

Do not use this power supply in equipment, where malfunction may cause severe personal injury or threaten human life.

## 2. INSTALLATION REQUIREMENTS

This device may only be installed and put into operation by qualified personnel.

This device does not contain serviceable parts.

The tripping of an internal fuse is caused by an internal defect.

If damage or malfunction should occur during installation or operation, immediately turn power off and send unit to the factory for inspection.

Mount the unit on a DIN-rail so that the input terminals are located on the bottom of the unit. For other mounting orientations see de-rating requirements in this document. See chapter 22.13.

This device is designed for convection cooling and does not require an external fan. Do not obstruct airflow and do not cover ventilation grid (e.g. cable conduits) by more than 15%!


Keep the following installation clearances:

40mm on top,

20mm on the bottom,

5mm on the left and right sides are recommended when the device is loaded permanently with more than 50% of the rated power. Increase this clearance to 15mm in case the adjacent device is a heat source (e.g. another power supply).

Caution: For use in a controlled environment according to CSA 22.2 No 107.1-01.

 **WARNING** Risk of electrical shock, fire, personal injury or death.

- Do not use the power supply without proper grounding (Protective Earth). Use the terminal on the input block for earth connection and not one of the screws on the housing.
- Turn power off before working on the device. Protect against inadvertent re-powering.
- Make sure that the wiring is correct by following all local and national codes.
- Do not modify or repair the unit.
- Do not open the unit as high voltages are present inside.
- Use caution to prevent any foreign objects from entering the housing.
- Do not use in wet locations or in areas where moisture or condensation can be expected.
- Do not touch during power-on, and immediately after power-off. Hot surfaces may cause burns.

### Notes for use in hazardous location areas:

The QT20.241 is suitable for use in Class I Division 2 Groups A, B, C, D locations.

### **WARNING EXPLOSION HAZARDS!**

Substitution of components may impair suitability for this environment. Do not disconnect the unit or operate the voltage adjustment unless power has been switched off or the area is known to be non-hazardous.

A suitable enclosure must be provided for the end product which has a minimum protection of IP54 and fulfils the requirements of the EN 60079-15:2010.

### 3. AC-INPUT

The unit is optimized to operate on a three phase system. An operation on only two legs of a three-phase system is possible with slightly different parameters. See chapter 22.4 for details.

|                            |      |               |  |
|----------------------------|------|---------------|--|
| AC input                   | nom. | 3AC 380-480V  | Wide-range input                                   |
| AC input range             | min. | 3x 323-552Vac | Continuous operation                               |
| Suitable mains systems     |      | TN, TT, IT    | Line (L) must not be earthed (grounded)            |
| Allowed voltage L to Earth | max. | 400Vac        | Continuous, IEC 60664-1                            |
| Input frequency            | nom. | 50-60Hz       | ±6%  |
| Turn-on voltage            | typ. | 3x 263Vac     | Steady-state value, load independent, see Fig. 3-1 |
| Shut-down voltage          | typ. | 3x 242Vac     | Steady-state value, load independent, see Fig. 3-1 |

|                            |      | 3AC 400V | 3AC 480V |   |
|----------------------------|------|----------|----------|---|
| Input current              | typ. | 0.79A    | 0.65A    | At 24V, 20A, see Fig. 3-3                                     |
| Power factor <sup>*)</sup> | typ. | 0.94     | 0.95     | At 24V, 20A, see Fig. 3-4                                     |
| Start-up delay             | typ. | 350ms    | 290ms    | See Fig. 3-2  |
| Rise time                  | typ. | 30ms     | 30ms     | At 24V, 20A, only resistive load see Fig. 3-2                 |
|                            | typ. | 40ms     | 40ms     | At 24V, 20A, resistive load with an additional 20mF capacitor |
| Turn-on overshoot          | max. | 500mV    | 500mV    | See Fig. 3-2  |

\*) The power factor is the ratio of the true (or real) power to the apparent power in an AC circuit.

Fig. 3-1 Input voltage range

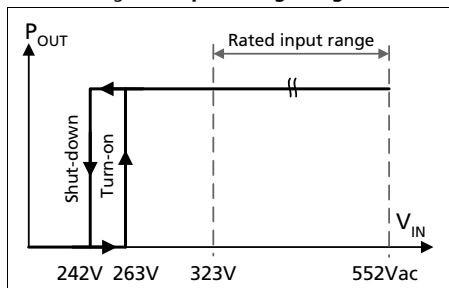


Fig. 3-2 Turn-on behavior, definitions

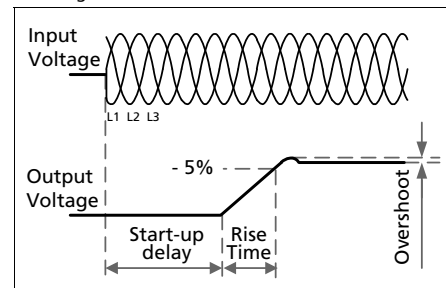


Fig. 3-3 Input current vs. output load at 24V

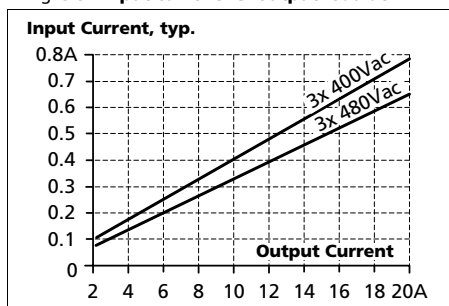
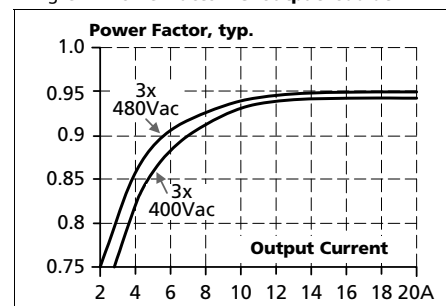


Fig. 3-4 Power factor vs. output load at 24V



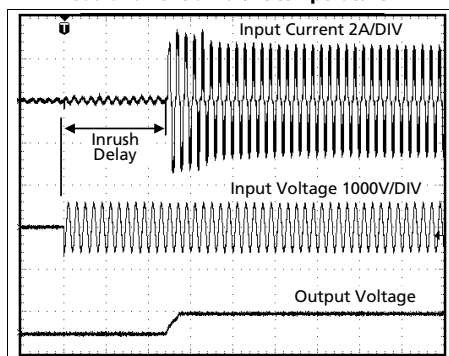
### 4. INPUT INRUSH CURRENT

The power supply is equipped with an active inrush current limitation circuit, which limits the input inrush current after turn-on and after short input voltage interruptions to a very low value.

|                              |      | 3AC 400V            | 3AC 480V            |                               |
|------------------------------|------|---------------------|---------------------|-------------------------------|
| Inrush current <sup>*)</sup> | max. | 10A <sub>peak</sub> | 10A <sub>peak</sub> | Over entire temperature range |
|                              | typ. | 3A <sub>peak</sub>  | 3A <sub>peak</sub>  | Over entire temperature range |
| Inrush energy                | max. | 1A <sup>2</sup> s   | 1A <sup>2</sup> s   | Over entire temperature range |
| Inrush delay                 | typ. | 270ms               | 220ms               |                               |

\*) The charging current into EMI suppression capacitors is disregarded in the first microseconds after switch-on.

Fig. 4-1 Typical turn-on behavior at nominal load and 25°C ambient temperature



### 5. DC-INPUT

Do not operate this power supply with DC-input voltage.  
Investigate using the QTD20.241 instead for DC-input voltages.

### 6. OUTPUT

|   |      |                     |   |
|---|------|---------------------|---|
| Output voltage                          | nom. | 24V                 |   |
| Adjustment range                        | min. | 24-28V              | Guaranteed  |
|   | max. | 30V <sup>***)</sup> | At clockwise end position of potentiometer              |
| Factory setting                         | typ. | 24.1V               | ±0.2%, at full load, cold unit                          |
| Line regulation                         | max. | 10mV                | At 3x 323-552Vac voltage change                         |
| Load regulation                         | max. | 100mV               | Static value, 0A→20A                                    |
| Ripple and noise voltage                | max. | 100mVpp             | 20Hz to 20MHz, 50Ohm                                    |
| Output current – continuous             | nom. | 20A                 | At 24V, see Fig. 6-1                                    |
|   | nom. | 17.5A               | At 28V, see Fig. 6-1                                    |
| Output current – up to 4s <sup>*)</sup> | nom. | 30A                 | At 24V, see Fig. 6-1 and Fig. 6-2                       |
|   | nom. | 26A                 | At 28V, see Fig. 6-1 and Fig. 6-2                       |
| Output power – continuous               | nom. | 480W                | At 24-28V   |
| Output power – up to 4s <sup>*)</sup>   | nom. | 720W <sup>*)</sup>  | At 24-28V   |
| BonusPower <sup>®</sup> time            | typ. | 4s                  | Duration until the output voltage dips, see Fig. 6-2    |
| BonusPower <sup>®</sup> recovery time   | typ. | 7s                  | Overload free time to reset power manager, see Fig. 6-3 |
| Overload behavior                       |      | cont. current       | See Fig. 6-1  |
| Short-circuit current <sup>**)</sup>    | min. | 20A                 | Continuous, load impedance 50mOhm, see Fig. 6-1         |
|   | max. | 23A                 | Continuous, load impedance 50mOhm, see Fig. 6-1         |
|   | min. | 30A                 | Short-term (4s), load impedance 50mOhm, see Fig. 6-1    |
|   | max. | 34A                 | Short-term (4s), load impedance 50mOhm, see Fig. 6-1    |
|   | max. | 25A                 | Continuous, load impedance <10mOhm                      |
| Output capacitance                      | typ. | 950µF               | Included in the power supply                            |

\*) **BonusPower<sup>®</sup>, short term power capability (up to typ. 4s)**

The power supply is designed to support loads with a higher short-term power requirement without damage or shutdown. The short-term duration is hardware controlled by an output power manager. This BonusPower<sup>®</sup> is repeatedly available. Detailed information can be found in chapter 22.1. If the power supply is loaded longer with the BonusPower<sup>®</sup> than shown in the bonus-time diagram (see Fig. 6-2), the max. output power is automatically reduced to 480W.

\*\*\*) Discharge current of output capacitors is not included.

\*\*\*) This is the maximum output voltage which can occur at the clockwise end position of the potentiometer due to tolerances. It is not guaranteed value which can be achieved. The typical value is about 28.5V.

Fig. 6-1 Output voltage vs. output current, typ.

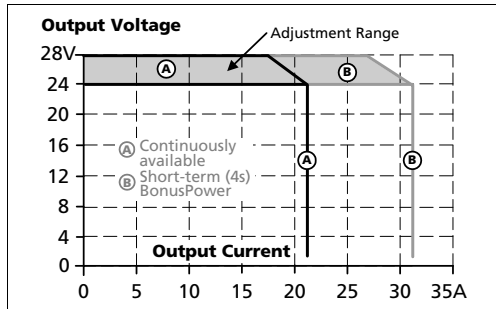


Fig. 6-2 Bonus time vs. output power

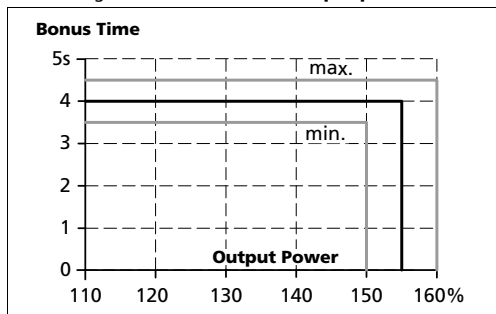
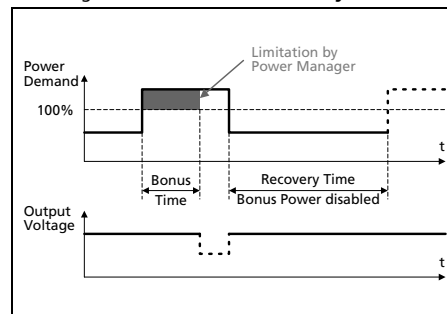


Fig. 6-3 BonusPower® recovery time



The BonusPower® is available as soon as power comes on and after the end of an output short circuit or output overload.

Fig. 6-4 BonusPower® after input turn-on

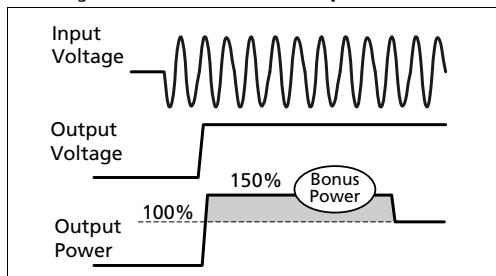
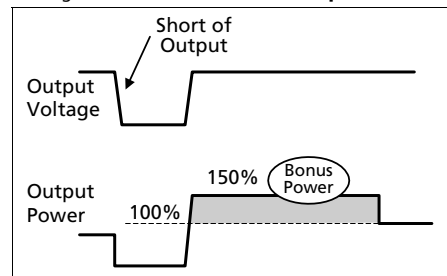


Fig. 6-5 BonusPower® after output short



### 7. HOLD-UP TIME

|              |      | 3AC 400V | 3AC 480V |                           |
|--------------|------|----------|----------|---------------------------|
| Hold-up Time | typ. | 44ms     | 44ms     | At 24V, 10A, see Fig. 7-1 |
|              | min. | 36ms     | 36ms     | At 24V, 10A, see Fig. 7-1 |
|              | typ. | 22ms     | 22ms     | At 24V, 20A, see Fig. 7-1 |
|              | min. | 18ms     | 18ms     | At 24V, 20A, see Fig. 7-1 |

Fig. 7-1 Hold-up time vs. input voltage

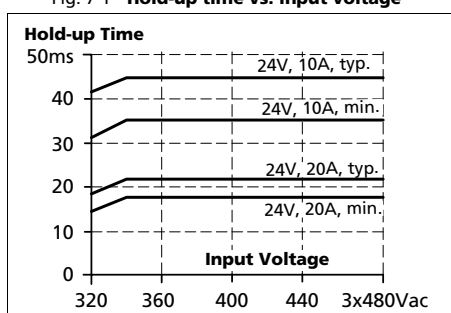
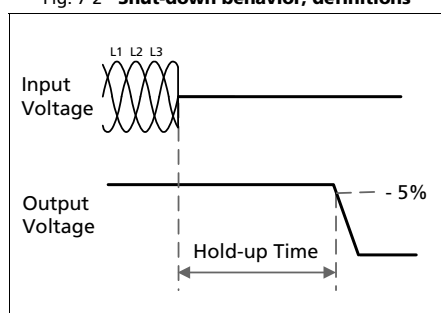


Fig. 7-2 Shut-down behavior, definitions

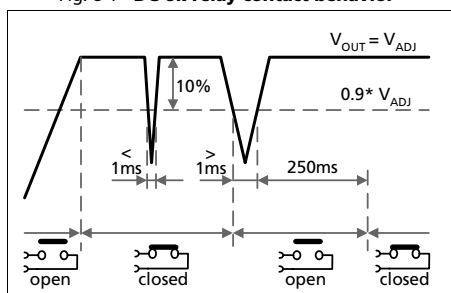


### 8. DC-OK RELAY CONTACT

This feature monitors the output voltage, which is produced by the power supply itself. It is independent of a back-fed voltage from a unit connected in parallel to the power supply output.

|                   |   |                       |  |
|-------------------|---|-----------------------|--|
| Contact closes    | As soon as the output voltage reaches the adjusted output voltage.  |                       |  |
| Contact opens     | As soon as the output voltage dips more than 10% below the adjusted output voltage. Short dips will be extended to a signal length of 250ms. Dips shorter than 1ms will be ignored. |                       |  |
| Contact re-closes | As soon as the output voltage exceeds 90% of the adjusted voltage.  |                       |  |
| Contact ratings   | max. 60Vdc 0.3A, 30Vdc 1A, 30Vac 0.5A   | Resistive load        |  |
|                   | min. 1mA at 5Vdc  | Min. permissible load |  |
| Isolation voltage | See dielectric strength table in section 18.  |                       |  |

Fig. 8-1 DC-ok relay contact behavior



Apr. 2017 / Rev. 2.1 DS-QT20.241-EN

All parameters are typical values specified at 24V, 20A, 3x 400Vac, 50Hz, symmetrical mains voltages, 25°C ambient and after a 5 minutes run-in time unless otherwise noted.



### 9. EFFICIENCY AND POWER LOSSES

|                                  |      | 3AC 400V | 3AC 480V |  |
|----------------------------------|------|----------|----------|--|
| Efficiency                       | typ. | 95.0%    | 94.8%    | At 24V, 20A                                      |
| Average efficiency <sup>*)</sup> | typ. | 94.2%    | 93.6%    | 25% at 5A, 25% at 10A, 25% at 15A and 25% at 20A |
| Power losses                     | typ. | 8.2W     | 10.0W    | At 24V, 0A (no load)                             |
|                                  | typ. | 14.5W    | 16.0W    | At 24V, 10A (half load)                          |
|                                  | typ. | 25.3W    | 26.4W    | At 24V, 20A (full load)                          |

\*) The average efficiency is an assumption for a typical application where the power supply is loaded with 25% of the nominal load for 25% of the time, 50% of the nominal load for another 25% of the time, 75% of the nominal load for another 25% of the time and with 100% of the nominal load for the rest of the time.

Fig. 9-1 Efficiency vs. output current at 24V, typ.

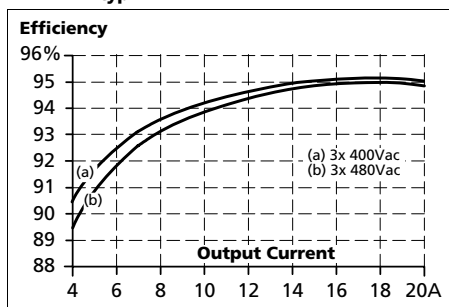


Fig. 9-2 Losses vs. output current at 24V, typ.

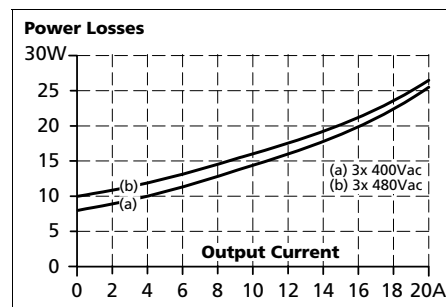


Fig. 9-3 Efficiency vs. input voltage at 24V, 20A, typ.

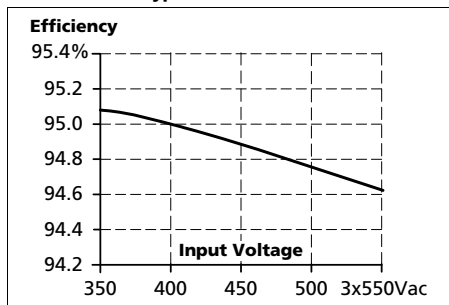
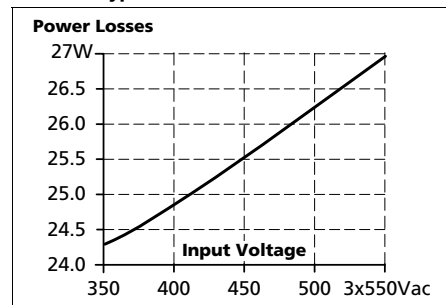


Fig. 9-4 Losses vs. input voltage at 24V, 20A, typ.

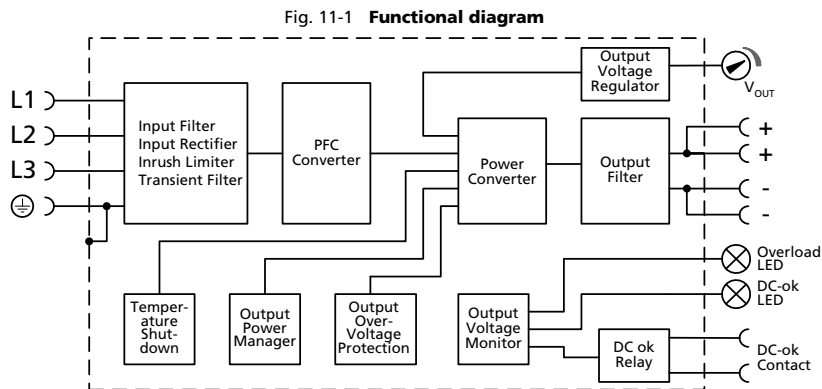


### 10. LIFETIME EXPECTANCY AND MTBF

|                                  | 3AC 400V    | 3AC 480V    |  |
|----------------------------------|-------------|-------------|--|
| Calculated lifetime expectancy*) | 495 000h *) | 485 000h *) | At 24V, 10A and 25°C                     |
|                                  | 175 000h *) | 171 000h *) | At 24V, 10A and 40°C                     |
|                                  | 297 000h *) | 299 000h *) | At 24V, 20A and 25°C                     |
|                                  | 105 000h    | 106 000h    | At 24V, 20A and 40°C                     |
| MTBF**) SN 29500, IEC 61709      | 1 194 000h  | 1 159 000h  | At 24V, 20A and 25°C                     |
|                                  | 690 000h    | 670 000h    | At 24V, 20A and 40°C                     |
| MTBF**) MIL HDBK 217F            | 389 000h    | 371 000h    | At 24V, 20A and 25°C; Ground Benign GB25 |
|                                  | 284 000h    | 271 000h    | At 24V, 20A and 40°C; Ground Benign GB40 |

- \*) The **calculated lifetime expectancy** shown in the table indicates the minimum operating hours (service life) and is determined by the lifetime expectancy of the built-in electrolytic capacitors. Lifetime expectancy is specified in operational hours and is calculated according to the capacitor's manufacturer specification. The manufacturer of the electrolytic capacitors only guarantees a maximum life of up to 15 years (131 400h). Any number exceeding this value is a calculated theoretical lifetime which can be used to compare devices.
- \*\*) **MTBF** stands for **Mean Time Between Failure**, which is calculated according to statistical device failures, and indicates reliability of a device. It is the statistical representation of the likelihood of a unit to fail and does not necessarily represent the life of a product. The MTBF figure is a statistical representation of the likelihood of a device to fail. A MTBF figure of e.g. 1 000 000h means that statistically one unit will fail every 100 hours if 10 000 units are installed in the field. However, it can not be determined if the failed unit has been running for 50 000h or only for 100h.

### 11. FUNCTIONAL DIAGRAM



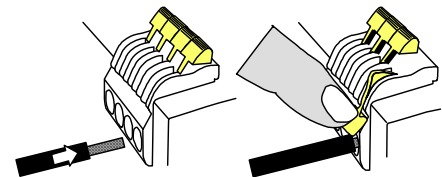
### 12. TERMINALS AND WIRING

The terminals are IP20 Finger safe constructed and suitable for field and factory wiring.

| <b>All terminals</b>          |                                      |
|-------------------------------|--------------------------------------|
| <b>Type</b>                   | Quick-connect spring-clamp terminals |
| Solid wire                    | Max. 6mm <sup>2</sup>                |
| Stranded wire                 | Max. 4mm <sup>2</sup>                |
| American Wire Gauge           | Max. AWG10                           |
| Wire diameter                 | Max. 2.8mm (including ferrules)      |
| Wire stripping length         | Typ. 10mm / 0.4inch                  |
| Screwdriver                   | Not applicable                       |
| Recommended tightening torque | Not applicable                       |

**Instructions:**

- a) Use appropriate copper cables that are designed for minimum operating temperatures of:  
60°C for ambient up to 45°C and  
75°C for ambient up to 60°C minimum  
90°C for ambient up to 70°C minimum.
- b) Follow national installation codes and installation regulations!
- c) Ensure that all strands of a stranded wire enter the terminal connection!
- d) Do not use the unit without PE connection.
- e) Ferrules are allowed.

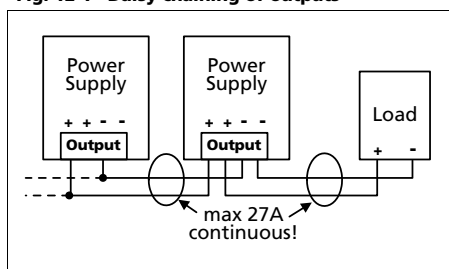


**1. Insert the wire    2. Snap the lever**  
To disconnect wire: same procedure vice versa

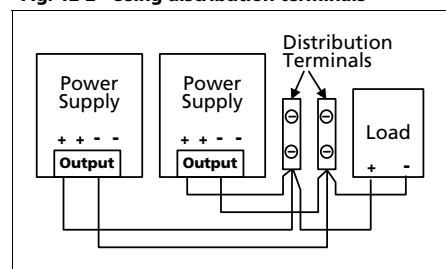
**Daisy chaining:**

Daisy chaining (jumping from one power supply output to the next) is allowed as long as the average output current through one terminal pin does not exceed 27A. If the current is higher, use a separate distribution terminal block as shown in Fig. 12-2.

**Fig. 12-1 Daisy chaining of outputs**

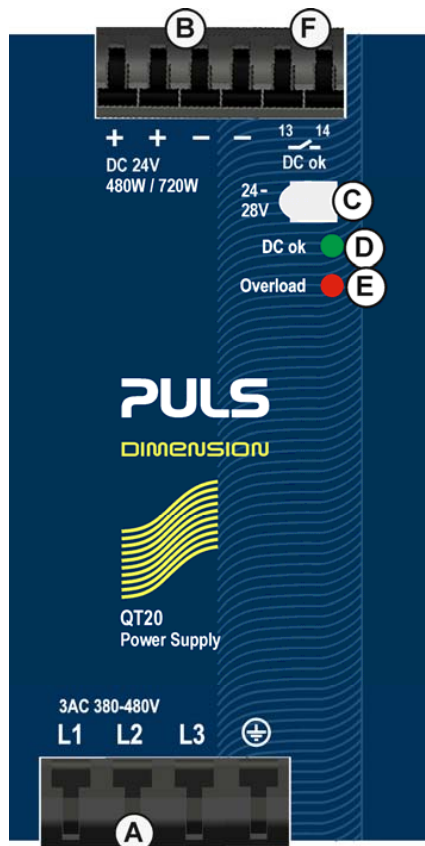


**Fig. 12-2 Using distribution terminals**



### 13. FRONT SIDE AND USER ELEMENTS

Fig. 13-1 Front side



- A Input Terminals** (Quick-connect spring-clamp terminals)  
**L1, L2, L3** Line input  
 $\oplus$  ...PE (Protective Earth) input
- B Output Terminals** (Quick-connect spring-clamp terminals, two pins per pole)  
 + Positive output  
 - Negative (return) output
- C Output Voltage Potentiometer**  
 Multi turn potentiometer;  
 Open the flap to set the output voltage.  
 Factory set: 24.1V at full output current
- D DC-OK LED** (green)  
 On, when the voltage on the output terminals is >90% of the adjusted output voltage.
- E Overload LED** (red)  
 - On, when the voltage on the output terminals is <90% of the adjusted output voltage, or in case of a short circuit in the output.  
 - On, when the unit has switched off due to over-temperature.  
 - Input voltage is always required
- F DC-OK Relay Contact** (Quick-connect spring-clamp terminals)  
 The DC-OK relay contact is synchronized with the DC-OK LED.  
 See chapter 8 for details.

| Indicators, LEDs:     | Overload LED | DC-OK LED | DC-OK Contact |
|-----------------------|--------------|-----------|---------------|
| Normal mode           | OFF          | ON        | Closed        |
| During BonusPower®    | OFF          | ON        | Closed        |
| Overload (Vout < 90%) | ON           | OFF       | Open          |
| Output short circuit  | ON           | OFF       | Open          |
| Temperature Shut-down | ON           | OFF       | Open          |
| No input power        | OFF          | OFF       | Open          |

### 14. EMC

The power supply is suitable for applications in industrial environment as well as in residential, commercial and light industry environment without any restrictions.

All results assume a three phase operation of the power supply.

| <b>EMC Immunity</b>                          |               | According to generic standards: EN 61000-6-1 and EN 61000-6-2         |              |              |
|--|---------------|---|--------------|--------------|
| Electrostatic discharge                      | EN 61000-4-2  | Contact discharge   | 8kV          | Criterion A  |
|  |               | Air discharge   | 15kV         | Criterion A  |
| Electromagnetic RF field                     | EN 61000-4-3  | 80MHz-2.7GHz  | 20V/m        | Criterion A  |
| Fast transients (Burst)                      | EN 61000-4-4  | Input lines   | 4kV          | Criterion A  |
|  |               | Output lines  | 2kV          | Criterion A  |
|  |               | DC-OK signal (coupling clamp)   | 2kV          | Criterion A  |
| Surge voltage on input                       | EN 61000-4-5  | L1 → L2, L2 → L3, L1 → L3   | 2kV          | Criterion A  |
|  |               | L1 / L2 / L3 → PE   | 4kV          | Criterion A  |
| Surge voltage on output                      | EN 61000-4-5  | + → -   | 500V         | Criterion A  |
|  |               | + / - → PE  | 1kV          | Criterion A  |
| Surge voltage on DC-OK                       | EN 61000-4-5  | DC-OK signal → PE   | 1kV          | Criterion A  |
| Conducted disturbance                        | EN 61000-4-6  | 0.15-80MHz  | 20V          | Criterion A  |
| Mains voltage dips<br>(Dips on three phases) | EN 61000-4-11 | 0% of 380Vac (0Vac)   | 0Vac, 20ms   | Criterion A, |
|  |               | 0% of 480Vac (0Vac)   | 0Vac, 20ms   | Criterion A  |
| Mains voltage dips<br>(Dips on two phases)   | EN 61000-4-11 | 40% of 380Vac (152Vac)  | 200ms        | Criterion A  |
|  |               | 40% of 480Vac (192Vac)  | 200ms        | Criterion A  |
|  |               | 70% of 380Vac (266Vac)  | 500ms        | Criterion A  |
|  |               | 70% of 480Vac (336Vac)  | 500ms        | Criterion A  |
| Voltage interruptions                        | EN 61000-4-11 | 0Vac  | 500ms        | Criterion C  |
| Voltage sags                                 | SEMI F47 0706 | Dips on two phases according to section 7.2. of the SEMI F47 standard |              |              |
|  |               | 80% of 380Vac (304Vac)  | 100ms        | Criterion A  |
|  |               | 70% of 380Vac (266Vac)  | 500ms        | Criterion A  |
|  |               | 50% of 380Vac (160Vac)  | 200ms        | Criterion A  |
| Powerful transients                          | VDE 0160      | Over entire load range  | 1550V, 1.3ms | Criterion A  |

**Criteria:**

**A:** Power supply shows normal operation behavior within the defined limits.

**C:** Temporary loss of function is possible. Power supply may shut-down and restarts by itself. No damage or hazards for the power supply will occur.

| <b>EMC Emission</b>                |   | According to generic standards: EN 61000-6-3 and EN 61000-6-4                  |  |
|------------------------------------|---|--|--|
| Conducted emission<br>input lines  | EN 55011, EN 55022, FCC Part 15, CISPR 11, CISPR 22 | Class B  |  |
| Conducted emission<br>output lines | IEC/CISPR 16-1-2, IEC/CISPR 16-2-1                  | 12dB higher than average limits for DC power port according to EN 61000-6-3**) |  |
| Radiated emission                  | EN 55011, EN 55022                                  | Class B  |  |
| Harmonic input current             | EN 61000-3-2  | Fulfilled for class A equipment  |  |
| Voltage fluctuations, flicker      | EN 61000-3-3  | Fulfilled*)  |  |

This device complies with FCC Part 15 rules.

Operation is subjected to following two conditions: (1) this device may not cause harmful interference, and (2) this device must accept any interference received, including interference that may cause undesired operation.

\*) Tested with constant current loads, non pulsing

\*\*) Restrictions apply for applications in residential, commercial and light-industrial environments, where local DC power networks according to EN 61000-6-3 are involved. No restrictions for all kinds of industrial applications.

Apr. 2017 / Rev. 2.1 DS-QT20.241-EN

All parameters are typical values specified at 24V, 20A, 3x 400Vac, 50Hz, symmetrical mains voltages, 25°C ambient and after a 5 minutes run-in time unless otherwise noted.

|                              |   |   |
|------------------------------|---|---|
| <b>Switching Frequencies</b> | The power supply has three converters with three different switching frequencies included. One is nearly constant. The others are input voltage and load dependent. |   |
| Switching frequency 1        | 100kHz  | Resonant converter, nearly constant             |
| Switching frequency 2        | 30kHz to 90kHz  | Boost converter, load dependent                 |
| Switching frequency 3        | 40kHz to 220kHz   | PFC converter, input voltage and load dependent |

### 15. ENVIRONMENT

|                                       |  |   |
|---------------------------------------|--|---|
| Operational temperature <sup>*)</sup> | -25°C to +70°C (-13°F to 158°F)  | Reduce output power according Fig. 15-1   |
| Storage temperature                   | -40 to +85°C (-40°F to 185°F)  | For storage and transportation  |
| Output de-rating                      | 12W/°C   | 60-70°C (140°F to 158°F)  |
| Humidity <sup>**)</sup>               | 5 to 95% r.H.  | IEC 60068-2-30  |
| Vibration sinusoidal                  | 2-17.8Hz: ±1.6mm; 17.8-500Hz: 2g<br>2 hours / axis   | IEC 60068-2-6   |
| Vibration random                      | 0.5m <sup>2</sup> (s <sup>3</sup> )<br>2 hours / axis  | IEC 60068-2-64  |
| Shock                                 | 30g 6ms, 20g 11ms<br>3 bumps / direction, 18 bumps in total  | IEC 60068-2-27  |
| Altitude                              | 0 to 2000m (0 to 6 560ft)<br>2000 to 6000m (6 560 to 20 000ft)   | Without any restrictions<br>Reduce output power or ambient temperature, see Fig. 15-2 |
| Altitude de-rating                    | 30W/1000m or 5°C/1000m   | IEC 62103, EN 50178, overvoltage category II > 2000m (6500ft), see Fig. 15-2          |
| Over-voltage category                 | III<br>II  | IEC 62103, EN 62477-1, altitudes up to 2000m<br>For altitudes from 2000m to 6000m     |
| Degree of pollution                   | 2  | IEC 62103, EN 62477-1, not conductive   |
| LABS compatibility                    | The unit does not release any silicone or other LABS-critical substances and is suitable for use in paint shops. |   |

\*) Operational temperature is the same as the ambient or surrounding temperature and is defined as the air temperature 2cm below the unit. Curves and figures for operation on only 2 legs of a 3-phase system can be found in chapter 22.4.

\*\*\*) Do not energize while condensation is present.

Fig. 15-1 Output current vs. ambient temp.

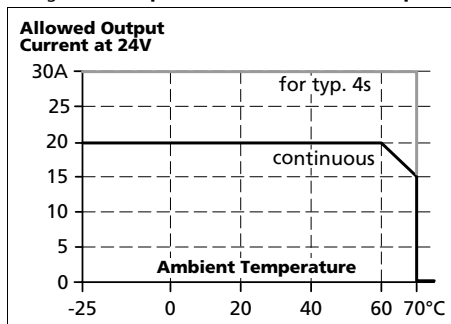
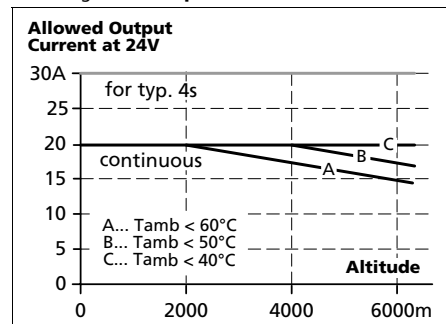


Fig. 15-2 Output current vs. altitude



### 16. PROTECTION FEATURES

|                                |   |   |
|--------------------------------|---|---|
| Output protection              | Electronically protected against overload, no-load and short-circuits <sup>*)</sup> |   |
| Output over-voltage protection | typ. 32Vdc<br>max. 35Vdc  | In case of an internal power supply defect, a redundant circuit limits the maximum output voltage. The output shuts down and automatically attempts to restart. |
| Degree of protection           | IP 20   | EN/IEC 60529  |
| Penetration protection         | > 3.5mm   | E.g. screws, small parts  |
| Over-temperature protection    | yes   | Output shut-down with automatic restart   |
| Input transient protection     | MOV (Metal Oxide Varistor)  |   |
| Internal input fuse            | Not included  |   |

\*) In case of a protection event, audible noise may occur.

### 17. SAFETY FEATURES

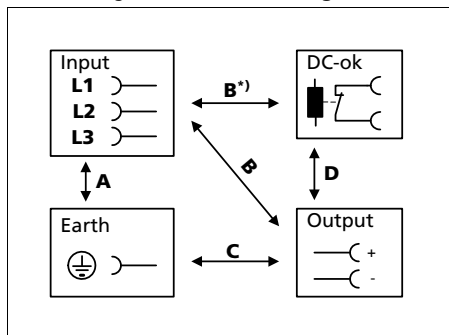
|   |                      |   |
|---|----------------------|---|
| Input / output separation <sup>*)</sup> | SELV                 | IEC/EN 60950-1  |
|   | PELV                 | IEC/EN 60204-1, EN 62477-1, IEC 62103, IEC 60364-4-41 |
| Class of protection                     | I                    | PE (Protective Earth) connection required             |
| Isolation resistance                    | > 500MΩ              | Input to output, 500Vdc                               |
| PE resistance                           | < 0.1Ω               |   |
| Touch current (leakage current)         | typ. 0.44mA / 0.94mA | At 3x400Vac, 50Hz, TN-,TT-mains / IT-mains            |
|   | typ. 0.62mA / 1.31mA | At 3x480Vac, 60Hz, TN-,TT-mains / IT-mains            |
|   | max. 0.54mA / 1.12mA | At 3x440Vac, 50Hz, TN-,TT-mains / IT-mains            |
|   | max. 0.78mA / 1.62mA | At 3x528Vac, 60Hz, TN-,TT-mains / IT-mains            |

\*) double or reinforced insulation

### 18. DIELECTRIC STRENGTH

The output voltage is floating and has no ohmic connection to the ground. Type and factory tests are conducted by the manufacturer. Field tests may be conducted in the field using the appropriate test equipment which applies the voltage with a slow ramp (2s up and 2s down). Connect all phase terminals together as well as all output poles before conducting the test. When testing, set the cut-off current settings to the value in the table below.

Fig. 18-1 Dielectric strength



|                         |     | A       | B       | C      | D      |
|-------------------------|-----|---------|---------|--------|--------|
| Type test               | 60s | 2500Vac | 3000Vac | 500Vac | 500Vac |
| Factory test            | 5s  | 2500Vac | 2500Vac | 500Vac | 500Vac |
| Field test              | 5s  | 2000Vac | 2000Vac | 500Vac | 500Vac |
| Cut-off current setting |     | > 10mA  | > 10mA  | > 30mA | > 1mA  |

To fulfil the PELV requirements according to EN 60204-1 § 6.4.1, we recommend that either the + pole, the - pole or any other part of the output circuit shall be connected to the protective earth system. This helps to avoid situations in which a load starts unexpectedly or can not be switched off when unnoticed earth faults occur.

B\*) When testing input to DC-OK ensure that the max. voltage between DC-OK and the output is not exceeded (column D). We recommend connecting DC-OK pins and the output pins together when performing the test.

### 19. APPROVALS

EC Declaration of Conformity



The CE mark indicates conformance with the  
- EMC directive and the  
- Low-voltage directive

IEC 60950-1 2<sup>nd</sup> Edition



CB Scheme,  
Information Technology Equipment  
Applicable for altitudes up to 2000m.

UL 508



Listed for use as Industrial Control Equipment;  
U.S.A. (UL 508) and Canada (C22.2 No. 107-1-01);  
E-File: E198865

UL 60950-1, 2<sup>nd</sup> Edition



Recognized for use as Information Technology Equipment,  
Level 5; U.S.A. (UL 60950-1) and Canada (C22.2 No. 60950-1);  
E-File: E137006 Applicable for altitudes up to 2000m.

ANSI / ISA 12.12.01-2007  
(Class I Div 2)



Recognized for use in Hazardous Location Class I Div 2 T4  
Groups A,B,C,D systems; U.S.A. (ANSI / ISA 12.12.01-2007) and  
Canada (C22.2 No. 213-M1987)

SEMI F47



SEMI F47-0706 Ride-through compliance for the  
semiconductor industry. Full SEMI range compliance (Dips on  
two phases: 304Vac for 1000ms, 266Vac for 500ms and 190Vac  
for 200ms, Pout < 480W)

Marine



GL (Germanischer Lloyd) classified and ABS (American Bureau  
for Shipping) PDA Environmental category: C, EMC2 Marine  
and offshore application

EAC TR Registration



Registration for the Eurasian Customs Union market  
(Russia, Kazakhstan, Belarus)

Apr. 2017 / Rev. 2.1 DS-QT20.241-EN

All parameters are typical values specified at 24V, 20A, 3x 400Vac, 50Hz, symmetrical mains voltages, 25°C ambient and after a 5 minutes run-in time unless otherwise noted.



### 20. PHYSICAL DIMENSIONS AND WEIGHT

|        |             |
|--------|-------------|
| Width  | 65mm 2.56"  |
| Height | 124mm 4.88" |
| Depth  | 127mm 5.0"  |

The DIN-rail height must be added to the unit depth to calculate the total required installation depth.

|                         |  |
|-------------------------|--|
| Weight                  | 870g / 1.92lb  |
| DIN-Rail                | Use 35mm DIN-rails according to EN 60715 or EN 50022 with a height of 7.5 or 15mm. |
| Housing material        | Body: Aluminium alloy<br>Cover: zinc-plated steel                                  |
| Installation clearances | See chapter 2  |

Fig. 20-1 Front view

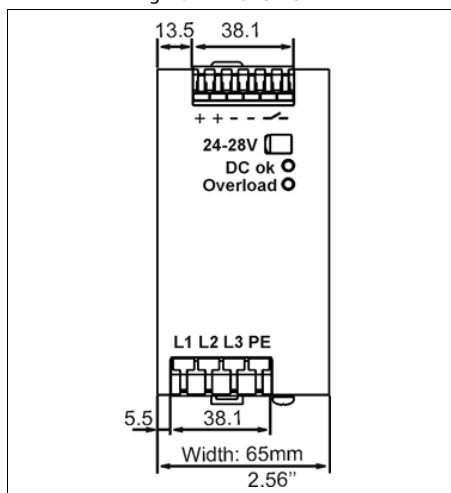
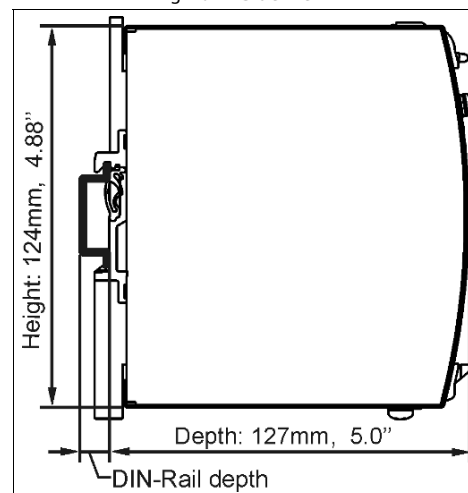


Fig. 20-2 Side view



### 21. ACCESSORIES

#### 21.1. ZM1.WALL – WALL/PANEL MOUNTING



This bracket is used to mount the QT20 power supply on a wall/panel without utilizing a DIN-Rail.

The two aluminum brackets and the black plastic slider of the unit have to be detached, so that the steel brackets can be mounted.

Fig. 21-1 Wall/panel mounting

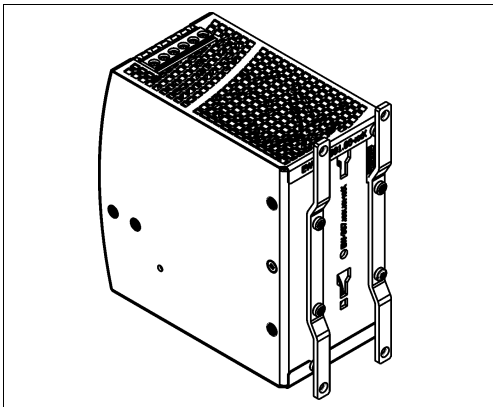
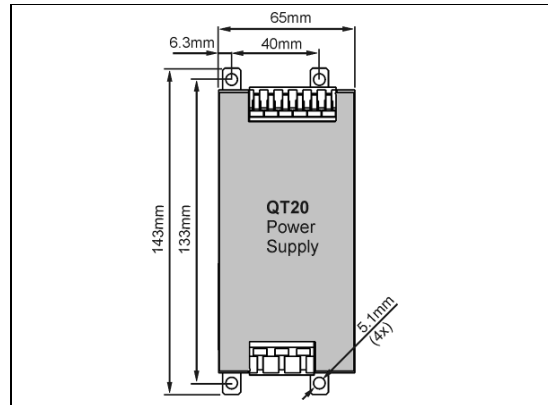


Fig. 21-2 Mounting Dimensions - Wall mounting bracket



### 21.2. ZM14.SIDE - SIDE MOUNTING BRACKET



This bracket is used to mount the QT20 power supply sideways with or without utilizing a DIN-Rail.

The two aluminum brackets and the black plastic slider of the unit have to be detached, so that the steel brackets can be mounted.

For sideways DIN-rail mounting, the removed aluminum brackets and the black plastic slider need to be mounted on the steel bracket.

Fig. 21-3  
Side mounting without DIN-rail brackets

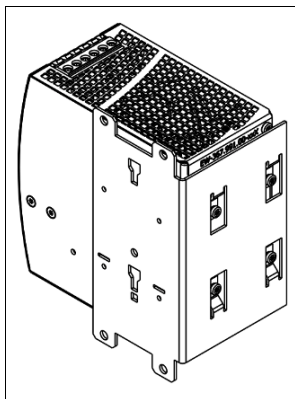


Fig. 21-4  
Side mounting with DIN-rail brackets

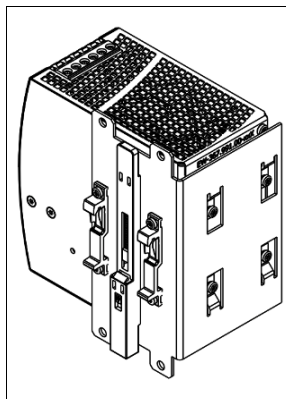
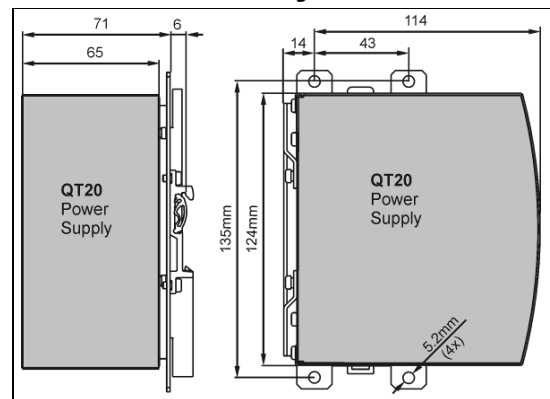


Fig. 21-5  
Mounting Dimensions  
Side mounting bracket

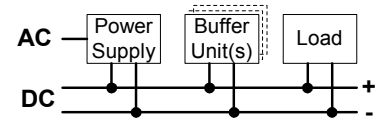


### 21.3. UF20.241 - BUFFER MODULE



This buffer unit is a supplementary device for DC 24V power supplies. It delivers power to bridge typical mains failures or extends the hold-up time after turn-off of the AC power. In times when the power supply provides sufficient voltages, the buffer unit stores energy in the integrated electrolytic capacitors. In case of mains voltage fault, this energy is released again in a regulated process.

The buffer unit does not require any control wiring. It can be added in parallel to the load circuit at any given point. Buffer units can be added in parallel to increase the output ampacity or the hold-up time.



### 21.4. YR40.241 - REDUNDANCY MODULE



The YR40.241 redundancy module is equipped with two input channels (20A each), which are individually decoupled by utilizing MOSFET technology. The output current can go as high as 40A.

Using MOSFET instead of diodes reduces the heat generation and the voltage drop between input and output. The YR40.241 does not require an additional auxiliary voltage and is self-powered even in case of a short circuit across the output.

Due to the low power losses, the unit is very slender and only requires 36mm width on the DIN-rail.

Fig. 21-6 Typical 1+1 Redundant configuration for 20A with one dual redundancy module und two power supplies

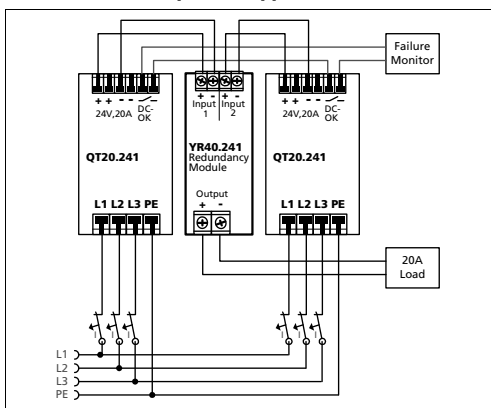
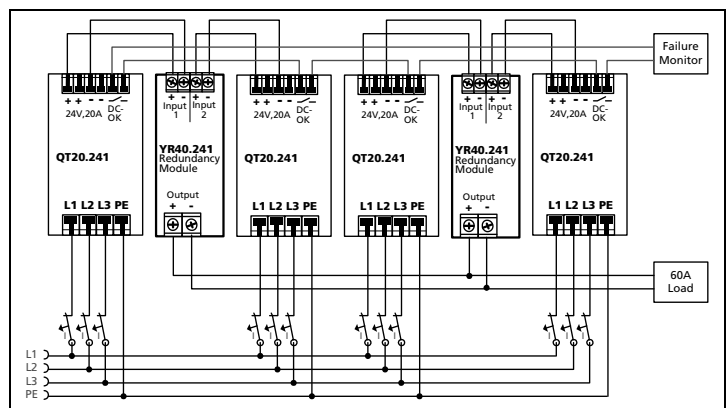


Fig. 21-7 Typical N+1 Redundant configuration for 60A with two dual redundancy modules and four power supplies



## 22. APPLICATION NOTES

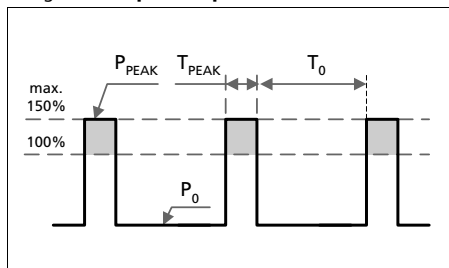
### 22.1. REPETITIVE PULSE LOADING

Typically, a load current is not constant and varies over time. This power supply is designed to support loads with a higher short-term power demand (=BonusPower®). The short-term duration is hardware controlled by an output power manager and is available on a repeated basis. If the BonusPower® load lasts longer than the hardware controller allows it, the output voltage will dip and the next BonusPower® is available after the BonusPower® recovery time (see chapter 6) has elapsed.

To avoid this, the following rules must be met:

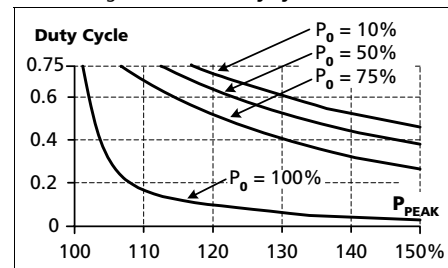
- The power demand of the pulse must be below 150% of the nominal output power.
- The duration of the pulse power must be shorter than the allowed BonusPower® time. (see output section)
- The average (R.M.S.) output current must be below the specified continuous output current.  
If the R.M.S. current is higher, the unit will respond with a thermal shut-down after a period of time. Use the maximum duty cycle curve (Fig. 22-2) to check if the average output current is below the nominal current.
- The duty cycle must be below 0.75.

Fig. 22-1 Repetitive pulse loads, definitions



- $P_0$  Base load (W)
- $P_{PEAK}$  Pulse load (above 100%)
- $T_0$  Duration between pulses (s)
- $T_{PEAK}$  Pulse duration (s)

Fig. 22-2 Max. duty cycle curve



$$\text{DutyCycle} = \frac{T_{\text{peak}}}{T_{\text{peak}} + T_0}$$

$$T_0 = \frac{T_{\text{peak}} - (\text{DutyCycle} \times T_{\text{peak}})}{\text{DutyCycle}}$$

**Example:** A load is powered continuously with 240W (= 50% of the rated output load). From time to time a peak power of 720W (= 150% of the rated output load) is needed for 1 second.

The question is: How often can this pulse be supplied without overloading the power supply?

- Make a vertical line at  $P_{PEAK} = 150\%$  and a horizontal line where the vertical line crosses the  $P_0 = 50\%$  curve. Read the max. duty cycle from the duty cycle-axis (= 0.37)
- Calculate the required pause (base load) length  $T_0$ :
- Result: The required pause length = 1.7s
- Max. repetition rate = pulse +pause length = **2.7s**

$$T_0 = \frac{T_{\text{peak}} - (\text{DutyCycle} \times T_{\text{peak}})}{\text{DutyCycle}} = \frac{1\text{s} - (0.37 \times 1\text{s})}{0.37} = \mathbf{1.7\text{s}}$$

#### More examples for pulse load compatibility:

| $P_{PEAK}$ | $P_0$ | $T_{PEAK}$ | $T_0$   | $P_{PEAK}$ | $P_0$ | $T_{PEAK}$ | $T_0$  |
|------------|-------|------------|---------|------------|-------|------------|--------|
| 720W       | 480W  | 1s         | >25s    | 720W       | 240W  | 0.1s       | >0.16s |
| 720W       | 0W    | 1s         | >1.3s   | 720W       | 240W  | 1s         | >1.6s  |
| 600W       | 240W  | 1s         | > 0.75s | 720W       | 240W  | 3s         | >4.9s  |

Apr. 2017 / Rev. 2.1 DS-QT20.241-EN

All parameters are typical values specified at 24V, 20A, 3x 400Vac, 50Hz, symmetrical mains voltages, 25°C ambient and after a 5 minutes run-in time unless otherwise noted.

### 22.2. PEAK CURRENT CAPABILITY

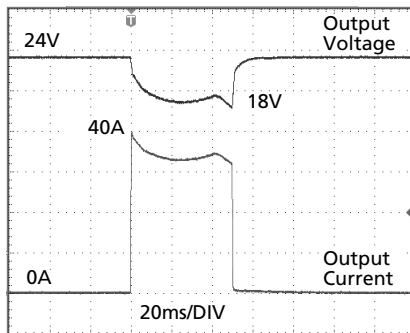
The power supply can deliver peak currents (up to several milliseconds) which are higher than the specified short term currents.

This helps to start current demanding loads. Solenoids, contactors and pneumatic modules often have a steady state coil and a pick-up coil. The inrush current demand of the pick-up coil is several times higher than the steady-state current and usually exceeds the nominal output current (including the BonusPower®). The same situation applies when starting a capacitive load.

The peak current capability also ensures the safe operation of subsequent circuit breakers of load circuits. The load branches are often individually protected with circuit breakers or fuses. In case of a short or an overload in one branch circuit, the fuse or circuit breaker need a certain amount of over-current to open in a timely manner. This avoids voltage loss in adjacent circuits.

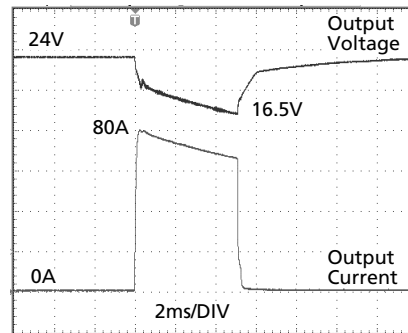
The extra current (peak current) is supplied by the power converter and the built-in large sized output capacitors of the power supply. The capacitors get discharged during such an event, which causes a voltage dip on the output. The following two examples show typical voltage dips:

Fig. 22-3 **Peak load with 2x the nominal current for 50ms, typ.**



40A Peak load (resistive) for 50ms  
Output voltage dips from 24V to 18V.

Fig. 22-4 **Peak load with 4x the nominal current for 5ms, typ.**



80A Peak load (resistive) for 5ms  
Output voltage dips from 24V to 16.5V.

Please note: The DC-OK relay triggers when the voltage dips more than 10% for longer than 1ms.

|                           |      |                   |                                 |
|---------------------------|------|-------------------|---------------------------------|
| Peak current voltage dips | typ. | from 24V to 18V   | At 40A for 50ms, resistive load |
|                           | typ. | from 24V to 19V   | At 80A for 2ms, resistive load  |
|                           | typ. | from 24V to 16.5V | At 80A for 5ms, resistive load  |

### 22.3. EXTERNAL INPUT PROTECTION

The unit is tested and approved for branch circuits up to 15A (U.S.A.) and 16A (IEC). An external protection is only required if the supplying branch has an ampacity greater than this. Check also local codes and local requirements. In some countries local regulations might apply.

If an external fuse is necessary or utilized, minimum requirements need to be considered to avoid nuisance tripping of the circuit breaker. A minimum value of 6A B- or 3A C-Characteristic breaker should be chosen.

### 22.4. USING ONLY 2 LEGS OF A 3-PHASE SYSTEM

No external protection devices are required to protect against a phase-loss failure.

This power supply can also be permanently operated on two legs of a 3-phase system. However, it is not recommended for this power class since the supplying 3-phase network can become unbalanced.

The output power must be reduced according to the curves below when operation on only two legs of a 3-phase system. A long-term exceeding of these limits will result in a thermal shut-down of the unit.

EMC performance, hold-up time, losses and output ripple differ from a three phase operation. Therefore, check suitability of your individual application.

Such use is not included in the UL approval. Additional tests might be necessary when the complete system has to be approved according to UL 508 or UL60950-1.

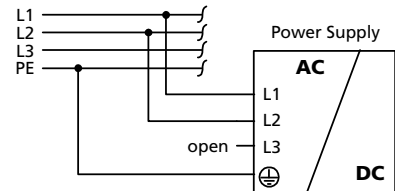


Fig. 22-5  
Output current vs. ambient temperature - 2-phase operation

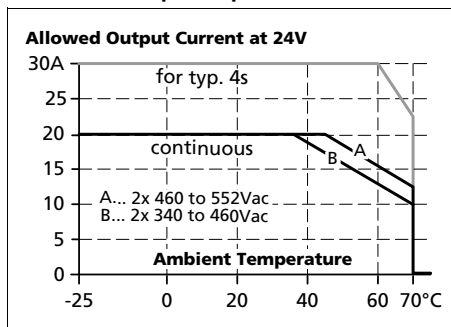
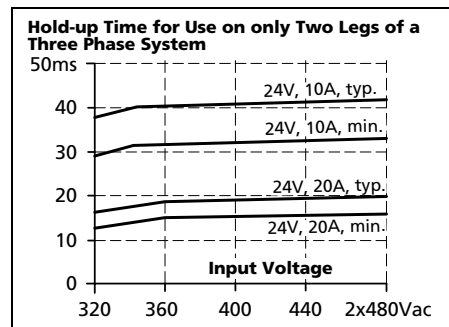


Fig. 22-6  
Hold-up time - 2-phase operation



### 22.5. CHARGING OF BATTERIES

The power supply can be used to charge lead-acid or maintenance free batteries. (Two 12V batteries in series)

**Instructions for charging batteries:**

- Set output voltage (measured at no load and at the battery end of the cable) very precisely to the end-of-charge voltage.

|                       |       |       |        |       |
|-----------------------|-------|-------|--------|-------|
| End-of-charge voltage | 27.8V | 27.5V | 27.15V | 26.8V |
| Battery temperature   | 10°C  | 20°C  | 30°C   | 40°C  |

- Use a 25A circuit breaker (or blocking diode) between the power supply and the battery.
- Ensure that the output current of the power supply is below the allowed charging current of the battery.
- Use only matched batteries when putting 12V types in series.
- The return current to the power supply (battery discharge current) is typ. 16mA when the power supply is switched off (except in case a blocking diode is utilized).

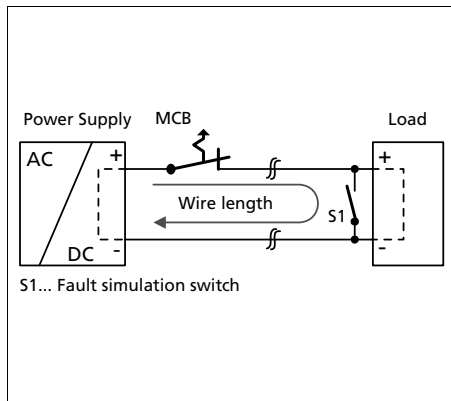
### 22.6. OUTPUT CIRCUIT BREAKERS

Standard miniature circuit breakers (MCB's or UL1077 circuit breakers) are commonly used for AC-supply systems and may also be used on DC branches.

MCB's are designed to protect wires and circuits. If the ampere value and the characteristics of the MCB are adapted to the wire size that is used, the wiring is considered as thermally safe regardless of whether the MCB opens or not.

To avoid voltage dips and under-voltage situations in adjacent 24V branches which are supplied by the same source, a fast (magnetic) tripping of the MCB is desired. A quick shutdown within 10ms is necessary corresponding roughly to the ride-through time of PLC's. This requires power supplies with high current reserves and large output capacitors. Furthermore, the impedance of the faulty branch must be sufficiently small in order for the current to actually flow. The best current reserve in the power supply does not help if Ohm's law does not permit current flow. The following table has typical test results showing which B- and C-Characteristic MCBs magnetically trip depending on the wire cross section and wire length.

Fig. 22-7 Test circuit



Maximal wire length<sup>\*)</sup> for a fast (magnetic) tripping:

|              | 0.75mm <sup>2</sup> | 1.0mm <sup>2</sup> | 1.5mm <sup>2</sup> | 2.5mm <sup>2</sup> |
|--------------|---------------------|--------------------|--------------------|--------------------|
| <b>C-2A</b>  | 29m                 | 39m                | 56m                | 86m                |
| <b>C-3A</b>  | 26m                 | 34m                | 49m                | 76m                |
| <b>C-4A</b>  | 16m                 | 21m                | 29m                | 46m                |
| <b>C-6A</b>  | 3m                  | 5m                 | 7m                 | 8m                 |
| <b>C-8A</b>  | 1m                  | 2m                 | 2m                 | 3m                 |
| <b>C-10A</b> | 1m                  | 1m                 | 1m                 | 1m                 |
| <b>B-6A</b>  | 18m                 | 23m                | 31m                | 54m                |
| <b>B-10A</b> | 4m                  | 6m                 | 7m                 | 13m                |
| <b>B-13A</b> | 3m                  | 5m                 | 6m                 | 11m                |
| <b>B-16A</b> | 1m                  | 1m                 | 1m                 | 2m                 |

\*) Don't forget to consider twice the distance to the load (or cable length) when calculating the total wire length (+ and - wire).

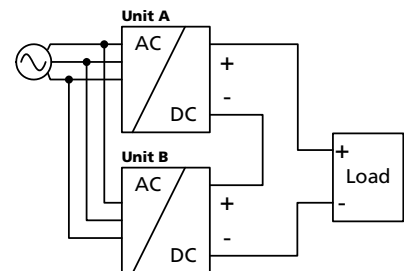
### 22.7. SERIES OPERATION

Power supplies of the same type can be connected in series for higher output voltages. It is possible to connect as many units in series as needed, providing the sum of the output voltage does not exceed 150Vdc. Voltages with a potential above 60Vdc are not SELV any more and can be dangerous. Such voltages must be installed with a protection against touching.

Avoid return voltage (e.g. from a decelerating motor or battery) which is applied to the output terminals.

Keep an installation clearance of 15mm (left / right) between two power supplies and avoid installing the power supplies on top of each other. Do not use power supplies in series in mounting orientations other than the standard mounting orientation (input terminals on the bottom of the unit).

Pay attention that leakage current, EMI, inrush current, harmonics will increase when using multiple power supplies.





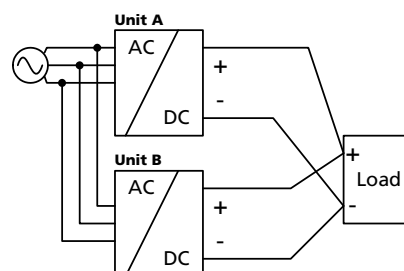
### 22.8. PARALLEL USE TO INCREASE OUTPUT POWER

Power supplies from the same series (Q-Series) can be paralleled to increase the output power. The output voltage shall be adjusted to the same value ( $\pm 100\text{mV}$ ) or the units can be left with the factory settings.

If more than three units are connected in parallel, a fuse or circuit breaker with a rating of 25A is required on each output. Alternatively, a diode or redundancy module can also be utilized.

Keep an installation clearance of 15mm (left / right) between two power supplies and avoid installing the power supplies on top of each other. Do not use power supplies in parallel in mounting orientations other than the standard mounting orientation (input terminals on the bottom of the unit) or in any other condition where a derating of the output current is required (e.g. altitude, above 60°C, ...).

Pay attention that leakage current, EMI, inrush current, harmonics will increase when using multiple power supplies.



### 22.9. PARALLEL USE FOR REDUNDANCY

Power supplies can be paralleled for redundancy to gain higher system availability. Redundant systems require a certain amount of extra power to support the load in case one power supply unit fails. The simplest way is to put two power supplies in parallel. This is called a 1+1 redundancy. In case one power supply unit fails, the other one is automatically able to support the load current without any interruption. Redundant systems for a higher power demand are usually built in a N+1 method. E.g. five power supplies, each rated for 20A are paralleled to build a 80A redundant system. For N+1 redundancy the same restrictions apply as for increasing the output power, see also chapter 22.8.

**Please note:** This simple way to build a redundant system does not cover failures such as an internal short circuit in the secondary side of the power supply. In such a case, the defective unit becomes a load for the other power supplies and the output voltage can not be maintained any more. This can be avoided by utilizing redundancy modules, which have decoupling devices (diodes or MOSFETs) included. Further information and wiring configurations can be found in chapter 21.4.

Recommendations for building redundant power systems:

- Use separate input fuses for each power supply. A separate source for each supply when possible increases the reliability of the redundant system.
- Monitor the individual power supply units. Therefore, use the DC-OK relay contact of the QT20 power supply.
- It is desirable to set the output voltages of all units to the same value ( $\pm 100\text{mV}$ ) or leave it at the factory setting.

### 22.10. INDUCTIVE AND CAPACITIVE LOADS

The unit is designed to supply any kind of loads, including capacitive and inductive loads.

### 22.11. BACK-FEEDING LOADS

Loads such as decelerating motors and inductors can feed voltage back to the power supply. This feature is also called return voltage immunity or resistance against Back- E.M.F. (Electro Magnetic Force).

This power supply is resistant and does not show malfunctioning when a load feeds back voltage to the power supply. It does not matter whether the power supply is on or off.

The maximum allowed feed-back-voltage is 34Vdc. The absorbing energy can be calculated according to the built-in output capacitor which is specified in chapter 6.

### 22.12. USE IN A TIGHTLY SEALED ENCLOSURE

When the power supply is installed in a tightly sealed enclosure, the temperature inside the enclosure will be higher than outside. In such situations, the inside temperature defines the ambient temperature for the power supply.

The following measurement results can be used as a reference to estimate the temperature rise inside the enclosure.

The power supply is placed in the middle of the box, no other heat producing items are inside the box

|                                |   |
|--------------------------------|---|
| Enclosure:                     | Rittal Typ IP66 Box PK 9519 100, plastic, 180x180x165mm                             |
| Load:                          | 24V, 16A; (=80%) load is placed outside the box                                     |
| Input:                         | 3x 400Vac   |
| Temperature inside enclosure:  | 55.9°C (in the middle of the right side of the power supply with a distance of 2cm) |
| Temperature outside enclosure: | 24.9°C  |
| Temperature rise:              | 31.0K   |

### 22.13. MOUNTING ORIENTATIONS

Mounting orientations other than all terminals on the bottom require a reduction in continuous output power or a limitation in the maximum allowed ambient temperature. The amount of reduction influences the lifetime expectancy of the power supply. Therefore, two different derating curves for continuous operation can be found below:

**Curve A1** Recommended output current.

**Curve A2** Max allowed output current (results in approximately half the lifetime expectancy of A1).

Fig. 22-8  
**Mounting Orientation A**  
(Standard orientation)

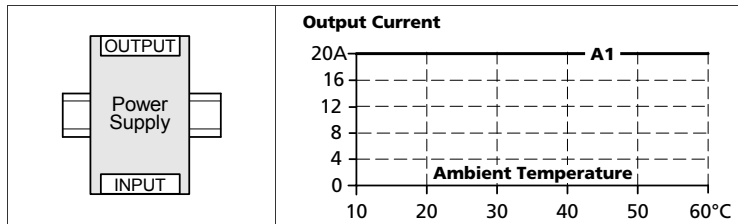


Fig. 22-9  
**Mounting Orientation B**  
(Upside down)

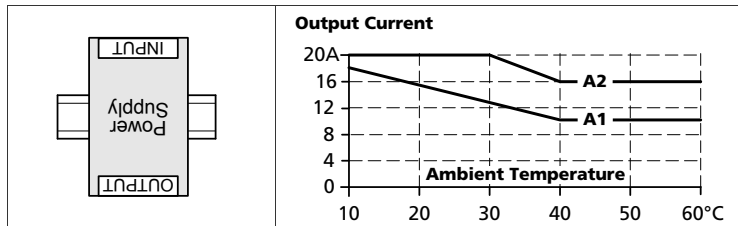


Fig. 22-10  
**Mounting Orientation C**  
(Table-top mounting)

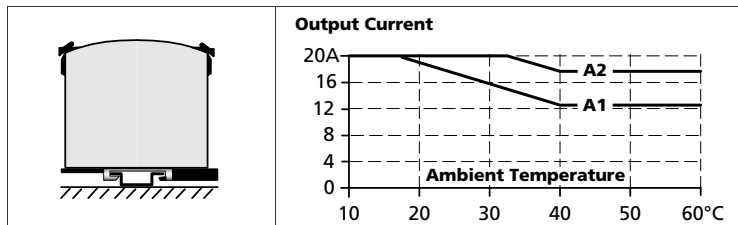


Fig. 22-11  
**Mounting Orientation D**  
(Horizontal cw)

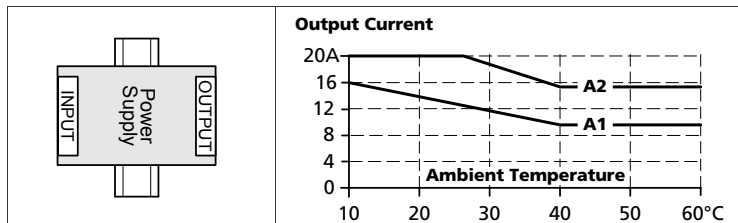
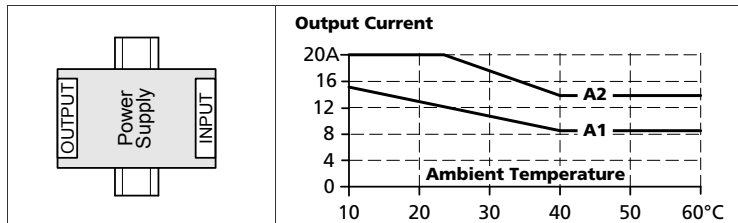


Fig. 22-12  
**Mounting Orientation E**  
(Horizontal ccw)



Apr. 2017 / Rev. 2.1 DS-QT20.241-EN

All parameters are typical values specified at 24V, 20A, 3x 400Vac, 50Hz, symmetrical mains voltages, 25°C ambient and after a 5 minutes run-in time unless otherwise noted.