



PIR-130-AC/PIR-130-DC

PIR Motion Sensor and Temperature Sensor Module

Introduction

The PIR-130 module includes a 1-channel passive infrared (PIR) sensor that is able to detect infrared waves generated by human within a range of approximately 8 meters in diameter with a 360° coverage area. The PIR-130 is used for indoor motion detection, and can be configured to automatically switch on a light if motion is detected.

The PIR-130 module also includes a 1-channel temperature sensor that can be used for measuring room temperature or can be configured to activate a fire alarm.

Specifications

| Model | PIR-130-AC | PIR-130-DC |
|---------------------------|---|--------------|
| PIR | | |
| Time-delay | Hardware: 8-step Switch-selectable (seconds): 6, 16, 33, 66, 131, 262, 524, 1049 Software: 16-step (seconds): 2, 4, 6, 8, 16, 33, 49, 66, 131, 262, 393, 524, 1049, 2097, 3146, 4194 | |
| LUX Control Level | Hardware: 2 mode (Dawn and dusk) / Software: 5-step | |
| Detection Range | Distance: 4 meters Max. | |
| Detection Field of View | 360°; Diameter 8 meters Max. | |
| Response Time | 1 seconds | |
| Temperature Sensor | | |
| Measurement Range | -25 ~ +100°C | |
| Fire Alarm | 65°C (Programmable) | |
| Resolution | 0.0625°C | |
| Accuracy | ±2°C | |
| Relay Output | | |
| Channels | 1 | |
| Type | Power Relay, Form C | |
| Max. Load Current | NO: 10 A @ 250 VAC NC: 6 A @ 250 VAC | |
| Load Wattage | Incandescent Bulb: 1500 W Max.; Fluorescent Lamp 300 W Max. | |
| RS-485 Interface | | |
| COM Port | RS-485 | |
| Transmission Distance (m) | Dependent on Baud Rate. For example, 1200 m Max. at 9600 bps. | |
| Baud Rate (bps) | 1200, 2400, 4800, 9600, 19200, 38400, 57600, 115200 | |
| Protocol | DCON, Modbus RTU | |
| Node Address | Hardware: 160 ~ 191 / Software: 1 to 255 | |
| LED Indicators | | |
| LED Indicators | Yes, 1 as Power/Communication Indicator. 1 as Alarm Indicator. | |
| EMS Protection | | |
| ESD (IEC 61000-4-2) | ±4 kV Contact for each Terminal, ±8 kV Air for Random Point | |
| EFT (IEC 61000-4-4) | ±4 kV for Power Line | |
| Power Requirements | | |
| Power supply | 110 to 220 VAC | 10 to 30 Vdc |
| Protection | Power reverse polarity protection, Over-voltage brown-out protection | |
| Power Consumption | 2 W | 1.3 W |
| Mechanical | | |
| Installation | Ceiling mounting | |
| Protection Class | IP20 | |
| Dimensions (D x H) | Ø 121 mm x 52 mm | |
| Environment | | |
| Operating Temperature | 0 to +35°C | |
| Storage Temperature | -30 to +80°C | |
| Humidity | 10 to 90% RH, Non-condensing | |

Features

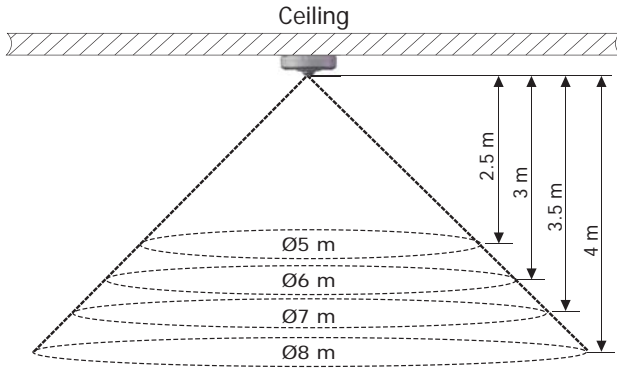
- 360° Motion Detection Up to 8 m Diameter Range
- Time-Delay / Lux. / Sensitivity Adjustable
- Photo Sensor Inside for Smart Switch-on Control
- LED Indicator for PIR/Temperature Sensor
- The Temperature Sensor for Measuring Room Temperature or Fire Alarm
- Relay Output Can be Used to Control the Light Via the PIR/Temperature Sensor
- Up to 1500 W Incandescent and 300 W Fluorescent (T8) Loading Capability
- RS-485 Communication Interface
- DCON and Modbus RTU Protocols
- Ceiling Surface Mount Design



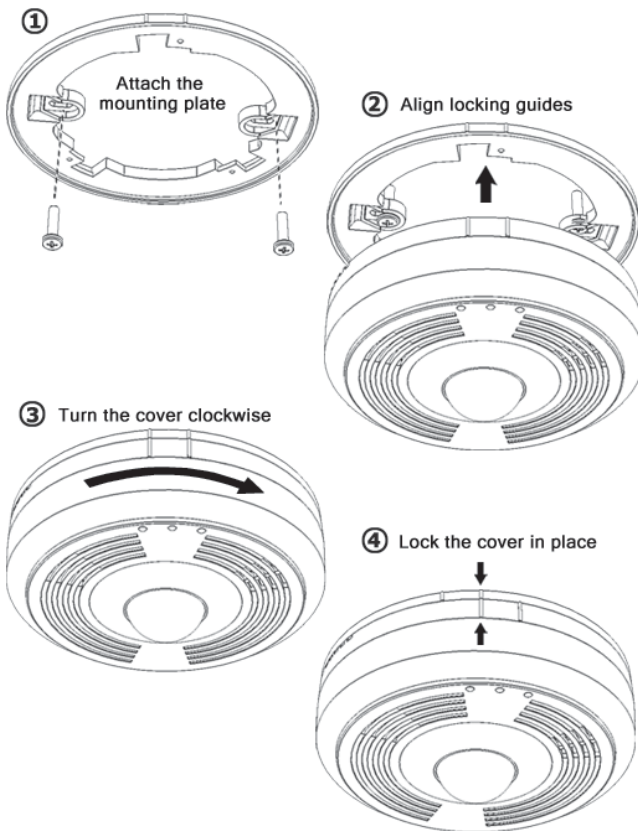
Applications

- Common toilets, for lights & exhaust fans
- Common staircases
- For parking lights
- For garden lights
- For changing rooms in shops
- For corridors & many more

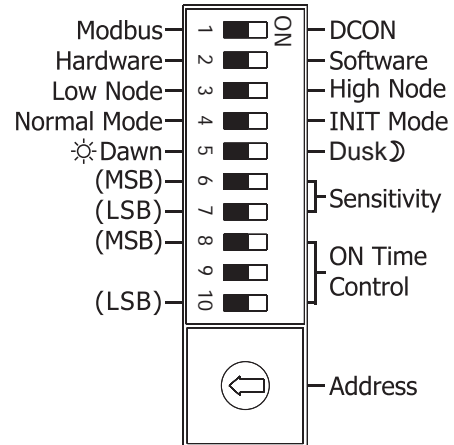
Operating Distance



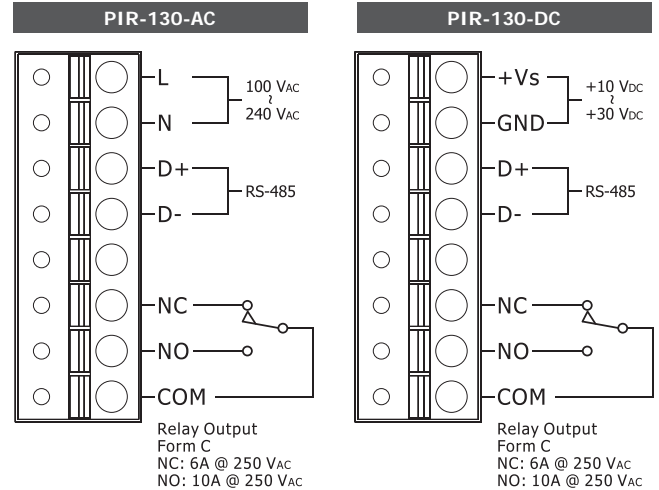
Mounting



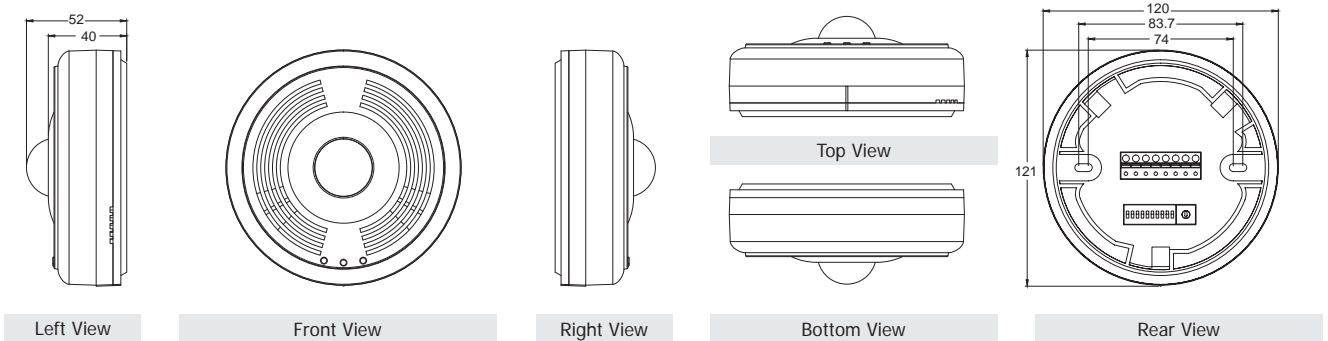
DIP Switch Settings



Pin Assignments & Wire Connections



Dimensions (Units: mm)



Ordering Information

| | |
|----------------------|---|
| PIR-130-AC CR | PIR Motion Sensor and Temperature Sensor Module (110 to 220 VAC) (RoHS) |
| PIR-130-DC CR | PIR Motion Sensor and Temperature Sensor Module (10 to 30 Vdc) (RoHS) |