



PFN-2060
PROFINET I/O Module

Features

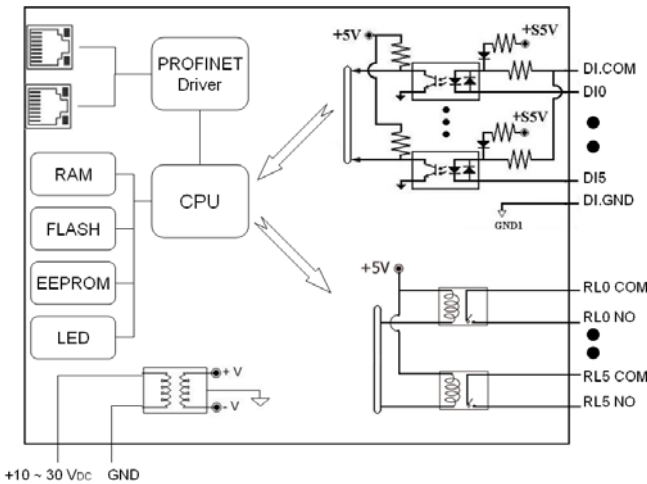
- Protocol: PROFINET IO Device
- PROFINET Conformance Class B and RT Class 1
- Cyclic Time: 1ms (min)
- Generic GSDML File Provided (Version 2.25)
- Support Power-ON Value & Safe Value
- DI ON/OFF voltage level: +10 ~ +50 VDC / +4V max.
- 4 kV Contact ESD protection for any terminal
- Wide range of power input (+10 ~ +30 VDC) and operating temperature (-25 ~ +75°C)



Introduction

The PFN-2060 is one of the PROFINET IO series products produced by ICP DAS. It provides the PROFINET IO communication protocol with any PROFINET IO controllers. It has 6-channel isolated digital inputs and 6-channel relay outputs, and it provides ±4kV ESD protection contacting for all terminals. You can access and configure it by using the GSDML file in any PROFINET Engineering tool.

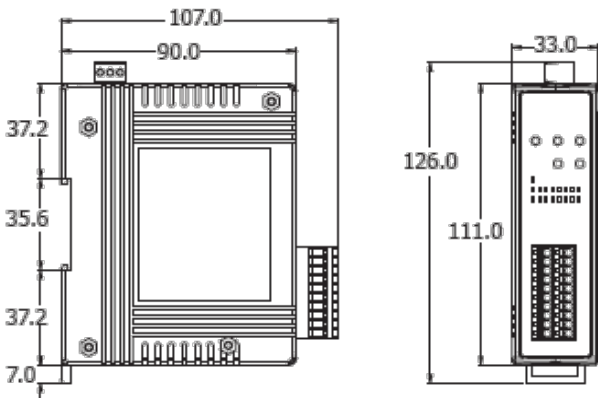
Internal I/O Structure



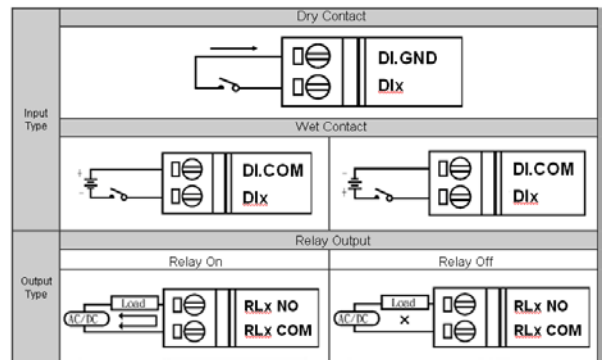
I/O Pin & Wire Connection

Terminal No.	Pin Assignment	Terminal No.	Pin Assignment
01	RL0 NO	11	DI GND
02	RL0 COM	12	DI0
03	RL1 NO	13	DI1
04	RL1 COM	14	DI2
05	RL2 NO	15	DI3
06	RL2 COM	16	DI4
07	RL3 NO	17	DI5
08	RL3 COM	18	DI COM
09	RL4 NO	19	RL5 NO
10	RL4 COM	20	RL5 COM

Dimensions (Units: mm)



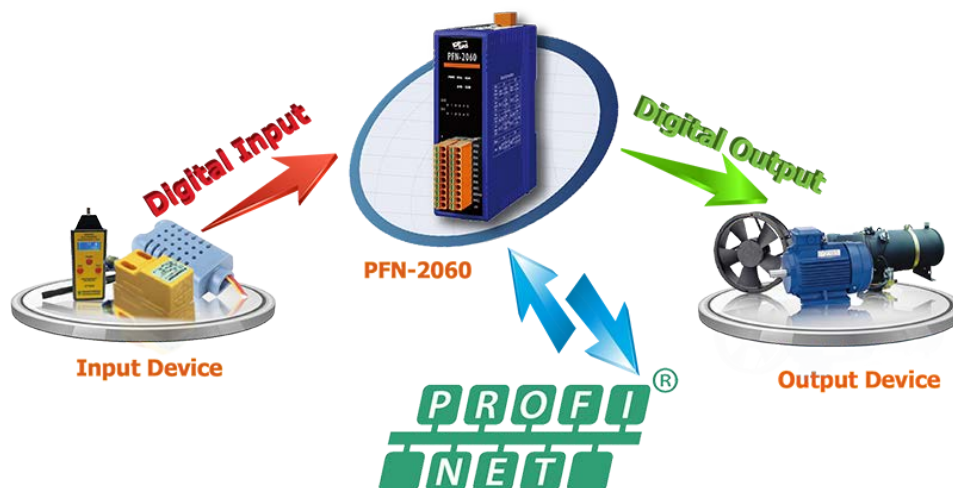
Wire Connection



Hardware Specifications

PROFINET Interface	
Protocol	PROFINET IO Device
Conformance Classes	Class B
Services	RTC, RTA, CL-RPC, DCP, LLDP, I&M
Cycle Time	1 ms (min)
Ethernet Interface	
Controller	10/100Base-TX Ethernet Controller (Auto-negotiating, Auto_MDIX)
Connector	RJ-45 x 2 (LED indicators) , Integrated 2-Port Switch
Services	ICMP, IGMP, ARP, DHCP, TELNET, TFTP, SNMP, VLAN Priority Tagging
Digital Input	
Channels	6, Dry Contact: Source, Wet Contact: Sink or Source
Dry Contact Level	Off Voltage Level : Open, On Voltage Level : Close to GND
Wet Contact Level	Off Voltage Level : +4 VDC max., On Voltage Level : +10 VDC to +50 VDC
Digital Output	
Channels	6, Power Relay, Form A x 6
Contact Rating	AC: 125 V@0.6A DC: 30V@2A, 110V@0.6A
Operating Time	3 ms
Release Time	2 ms
Total Switching Time	10 ms
Surge Strength	500 VAC (50/60 Hz)
Insulation resistance	1000 MW min. at 500 VDC
LED	
Round LED	PWR LED, S1A LED, S1B LED, S2A LED, S2B LED
Power	
Power supply	Unregulated +10 ~ +30 V _{DC}
Protection	Power reverse polarity protection, Over-voltage brown-out protection
Power Consumption	4 .5W
Mechanism	
Installation	DIN-Rail
Dimensions	33 mm x 107 mm x 126 mm (W x L x H)
Environment	
Operating Temp.	-25 ~ 75 °C
Storage Temp.	-30 ~ 80 °C
Humidity	10 ~ 90% RH, non-condensing

Application



Ordering Information

PFN-2060 CR	PROFINET I/O Module (Isolated 6-ch DI & 6-ch Relay Output) (RoHS)
--------------------	---