



## I-7188E2/I-7188E2D

Programmable Ethernet to 2x serial ports converter

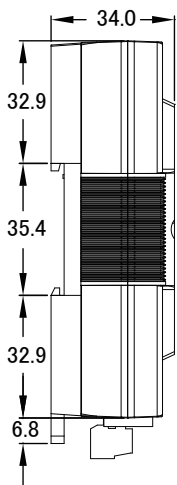
### Introduction

The I-7188EN series is a family of Programmable Device Servers, also known as "Serial-to-Ethernet gateway", that are designed for linking RS-232/422/485 devices to an Ethernet network. The user-friendly VxComm Driver/Utility allows users to easily turn the built-in COM ports of the I-7188EN series into standard COM ports on a computer. By virtue of its protocol independence, a small-core OS and high flexibility, the I-7188EN series is able to meet the demands of every network-enabled application.

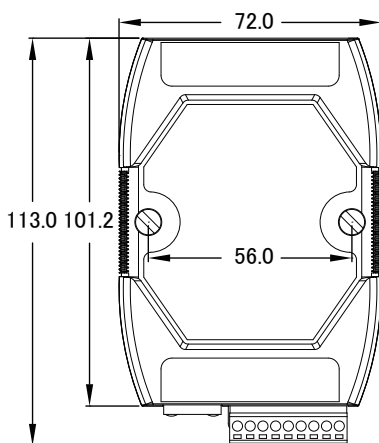
The I-7188EN series includes a powerful and reliable Xserver programming structure that allows you to design your robust Ethernet applications in one day. The built-in high-performance MiniOS7 boots the I-7188EN up in just one second and gives you the fastest responses.

The I-7188E2(D) is equipped with 1 RS-232 port and 1 RS-485 port. The removable on-board terminal block connector is designed for easy and robust wiring in industrial situations.

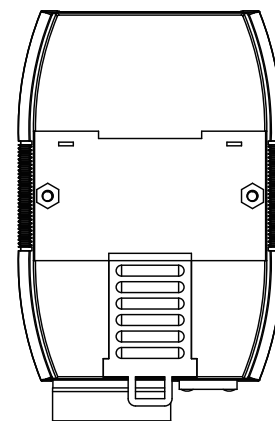
### Dimensions (Units: mm)



Left Side View



Front View



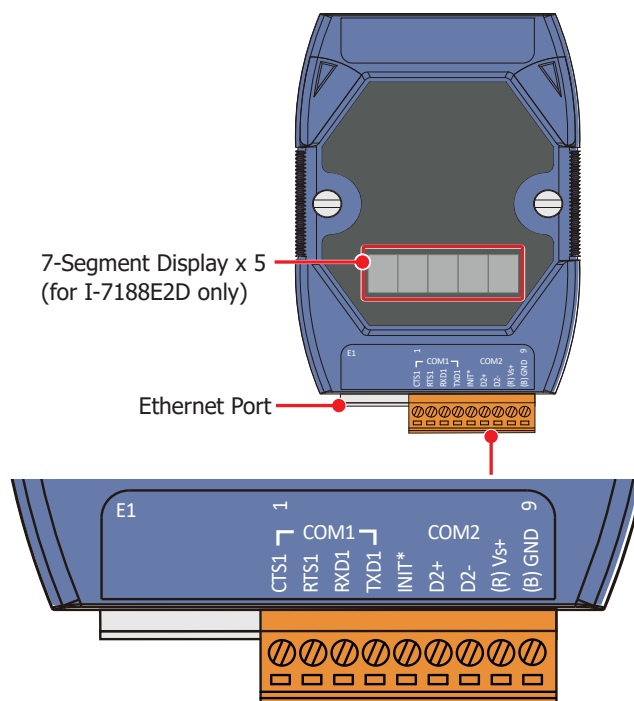
Rear View

### Features

- Incorporates any RS-232/485 serial device in Ethernet
- Data transmission via Virtual COM or raw TCP connection
- VxComm Utility supports 32/64-bit Windows 7 SP1/10/2012/2016
- Built-in High-Performance MiniOS7 from ICP DAS
- Watchdog Timer suitable for use in harsh environments
- Palm-Sized with multiple Serial Ports
- Power Reverse Polarity Protection



### Apparances



## Specifications

| Models                         | I-7188E2                                       | I-7188E2D |
|--------------------------------|--|-----------|
| <b>CPU Module</b>              |  |           |
| CPU                            | 80188, 40 MHz or compatible                    |           |
| SRAM                           | 384 KB   |           |
| Flash                          | 512 KB   |           |
| EEPROM                         | 2 KB   |           |
| Watchdog Timer                 | 0.8 second                                     |           |
| <b>Communication Interface</b> |  |           |
| COM1                           | RS-232 (TXD, RXD, RTS, CTS, GND)               |           |
| COM2                           | RS-485 (D+, D-)                                |           |
| Ethernet Port                  | 10BASE-T NE2000 compatible Ethernet Controller |           |
| <b>COM Port Format</b>         |  |           |
| Data Bit                       | 7, 8   |           |
| Parity                         | Even, Odd, None                                |           |
| Stop Bit                       | 1  |           |
| Baud Rate                      | 115200 bps Max.                                |           |
| <b>LED Indicator</b>           |  |           |
| 7-Segment Display              | -  | Yes       |
| System LED Indicator           | Yes  |           |
| <b>Mechanical</b>              |  |           |
| Dimensions (W x L x H)         | 113 mm x 72 mm x 34 mm                         |           |
| <b>Operating Environment</b>   |  |           |
| Operating Temperature          | -25 °C ~ +75 °C                                |           |
| Storage Temperature            | -40 °C ~ +80 °C                                |           |
| Humidity                       | 5 ~ 95% RH, non-condensing                     |           |
| <b>Power</b>                   |  |           |
| Protection                     | Power reverse polarity protection              |           |
| Power requirement              | 10 ~ 30 VDC                                    |           |
| Power consumption              | 2 W  | 3 W       |

## Ordering Information

|              |   |
|--------------|---|
| I-7188E2 CR  | Programmable Ethernet to 2x serial ports converter (1x RS-232, 1x RS-485) (RoHS)                  |
| I-7188E2D CR | Programmable Ethernet to 2x serial ports converter (1x RS-232, 1x RS-485) with LED display (RoHS) |

## Accessories

|              |   |
|--------------|---|
| MDR-20-24 CR | Power Supply, 85~264 VAC to 24 VDC/1 A, 24 W, DIN-rail mounting (RoHS)    |
| GPSU06U-6 CR | Power Supply, 110~240 VAC to 24 VDC/0.25 A, 6 W, two pins USA plug (RoHS) |