



**EMP-9051-16/EMP-9051-32/EMP-9091-16/EMP-9091-32
EMP-9251-16/EMP-9251-32/EMP-9651-16/EMP-9651-32**
EtherCAT Master based 9000 series PAC

Features

- Windows 10 IoT Enterprise (64-bit)
- VGA and HDMI Port Output
- 2 10/100/1000M Ethernet Ports
- Redundant Power Input
- Synchronized motion (E-GEAR, E-CAM)
- Virtual axes
- Multi-axis linear interpolation



Introduction

EtherCAT (Ethernet for Control Automation Technology) is an open, high-performance fieldbus system that makes Ethernet technologies available at the I/O level. EtherCAT provides flexible wiring, fast communication and many other nice features. It needs a master to control many slaves. ICP DAS provides EtherCAT Master based PAC for users to build their motion related applications.

EtherCAT Master can offer multi-axis motion and I/O control functions by its own built-in CPU. In this way, the CPU loading of PAC can be reduced dramatically. In the mean while, ICP DAS also provides many I/O slave modules for users to choose from. Since EtherCAT technology is an industrial standard, those modules can work together in a system with 3rd-party EtherCAT slaves as well.

What is Windows 10 IoT ?



Windows 10 IoT is a member of the Windows 10 family that brings enterprise-class power, security, and manageability to the Internet of Things. It leverages Windows' embedded experience, ecosystem, and cloud connectivity, allowing organizations to create their Internet of Things with secure devices that can be quickly provisioned, easily managed, and seamlessly connected to an overall cloud strategy.

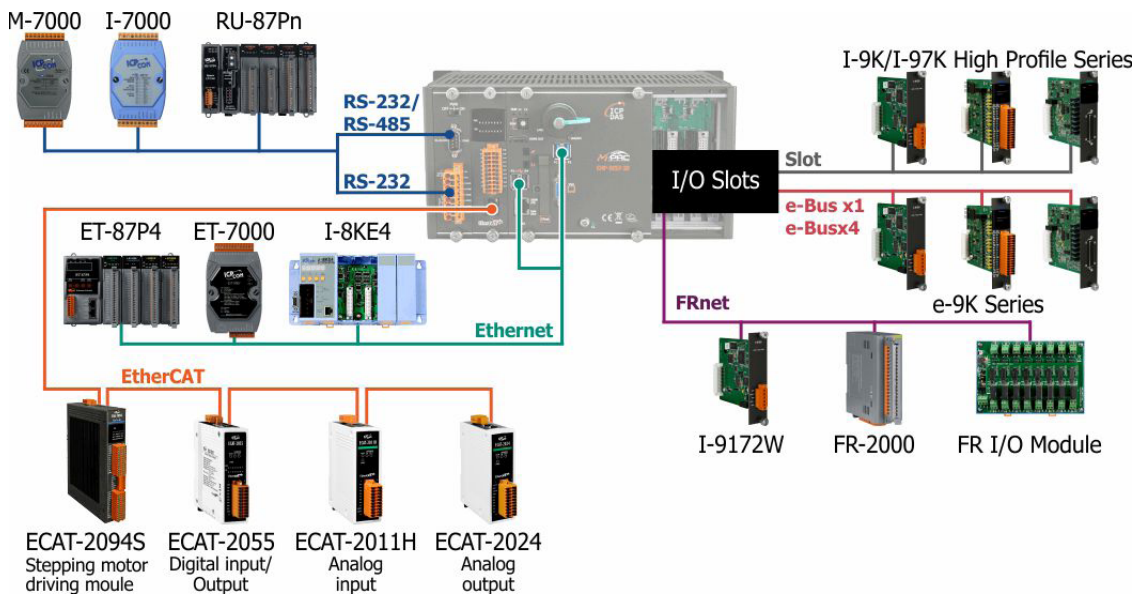
- Traditional Windows Shell with Advanced Lockdown Features
- Full Windows UI support (e.g. UWP, WinForms, etc)

Specifications

Model	EMP-9091-32	EMP-9091-16	EMP-9051-32	EMP-9051-16	EMP-9251-32	EMP-9251-16	EMP-9651-32	EMP-9651-16
Software								
OS	Windows 10 IoT Enterprise (64-bit)							
Framework Support	.Net Framework 3.5 ~ 4.8							
Service	IE11, FTP Server, IIS 7.0, ASP (Java Script, VB Script)							
SDK	Dll for VC, Dll for Visual Studio.Net							
Multilanguage Support	English, German, French, Spanish, Portuguese, Russian, Italian, Korean, Japanese, Simplified Chinese, Traditional Chinese							
Main Unit								
CPU	Intel Atom E3950 (1.6 ~ 2.0 GHz, 4C4T)		Intel® Core™ i5-8365UE Processor (1.6 ~ 4.1 GHz, 4C8T)					
64-bit Hardware Serial Number	Yes							
System Memory	8 GB DDR4 SDRAM		16 GB DDR4 SDRAM					
Non-Volatile Memory	128 KB MRAM, 16 KB EEPROM							
Storage	64 GB SSD(mSATA), 32 GB CFast card							
Real Time Clock	Provide seconds, minutes, hours, dates, day of week, month, year							
Watchdog Timer	Dual Watchdog Timer							

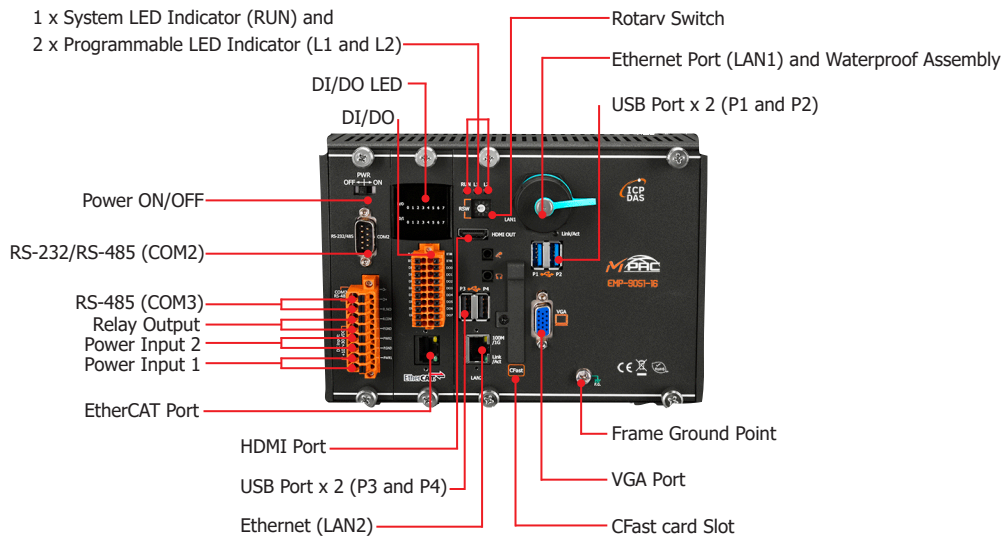
Display								
Signal	VGA, HDMI							
Resolution	VGA 1280 x 1024 ~ 1920 x 1080 (16 : 9), 640 x 480 ~ 1024 x 768 (4 : 3) HDMI 2560 x 1600 @ 24bpp							
LED Indicators								
Status	1 x System, 2 x Programmable							
COM Ports								
Ports	1 x RS-485 (3000 VDC Isolated), 1x RS-232/RS-485 (3000 VDC Isolated)							
HMI								
Buzzer	Yes							
Rotary Switch	1 x 10 Position (0 ~ 9)							
Ethernet								
Ports	2 x RJ-45 10/100/1000 Base-TX							
USB								
Ports	4 x USB 2.0							
Power								
Input Range	+10 ~ 30 VDC (1 kV Isolated)							
Redundant Power Inputs	Yes							
Consumption	18.5W							
I/O Expansion								
I/O Type	e9K, I-9K, I-97K series							
Slots	-	-	2		6			
Digital Input								
Channels	8							
Type	Sink/Source							
ON Voltage Level	+19V~+24V							
OFF Voltage Level	+11V Max.							
Isolation	3000VDC							
Digital Output								
Channels	8							
Type	Sink(open collector)							
Load Voltage	+24V							
Max. Load Current	1000 mA/ch							
Isolation	3000Vrms							
EtherCAT								
Ports	1 x RJ-45							
No. of Axes	Max. 32	Max. 16	Max. 32	Max. 16	Max. 32	Max. 16	Max. 32	Max. 16
No. of Nodes	Max. 512							
Data Transfer Medium	Ethernet Cable (Min. CAT 5e), Shielded							
Interpolation								
Cicular	Any 2- or 3-axis							
Helical	Any 3-axis							
Linear	Any 2- or 32-axis							
Mechanical								
Dimensions (mm)	239 x 164 x 133(W x L x H)				300 x 164 x 133(W x L x H)		422 x 164 x 133(W x L x H)	
Installation	DIN-Rail, Wall mounting							
Environmental								
Humidity	10 ~ 90 % RH, Non-condensing							
Operating Temperature	-25 ~ +60 °C							
Storage Temperature	-30 ~ +80 °C							

Applications

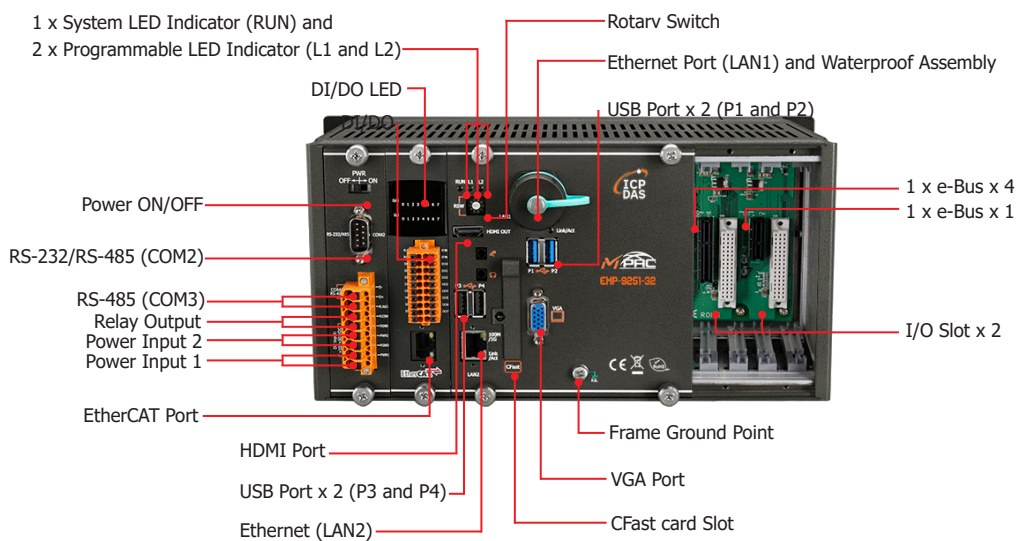


Appearance

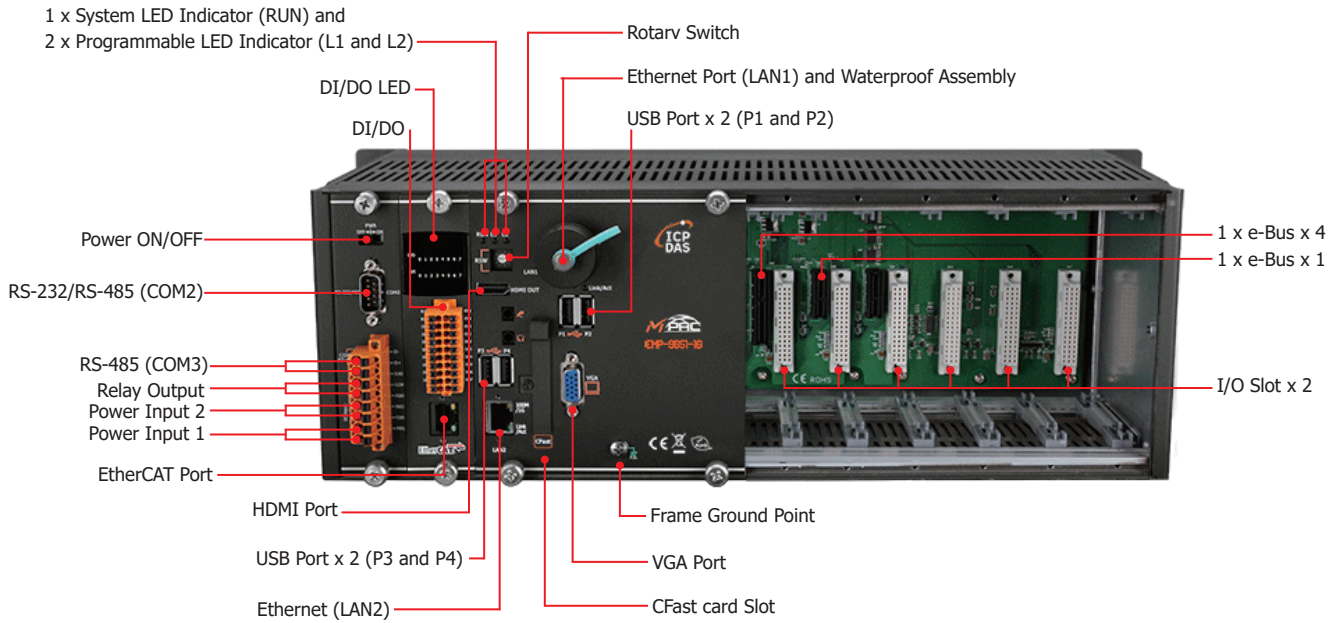
EMP-90XX



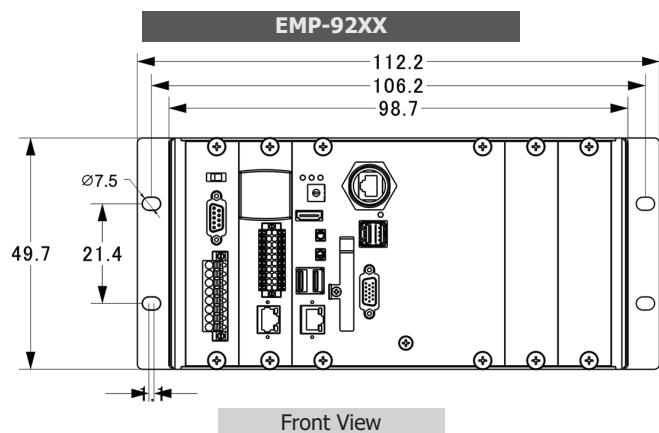
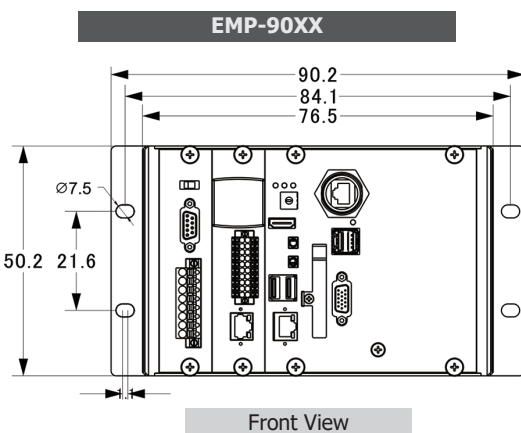
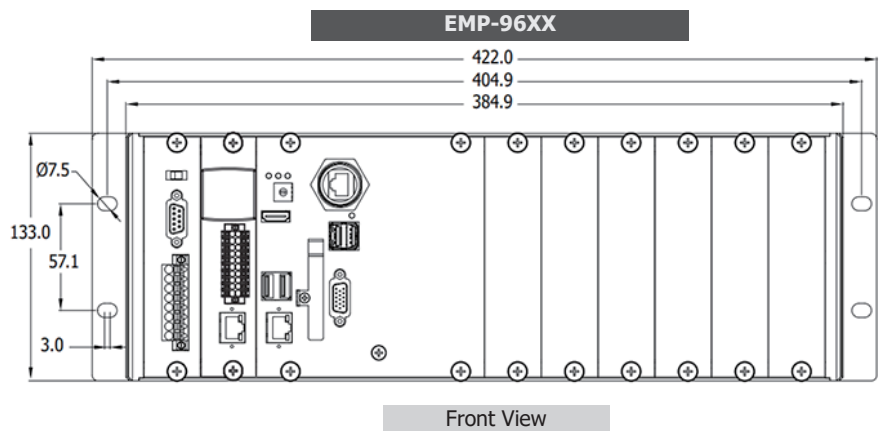
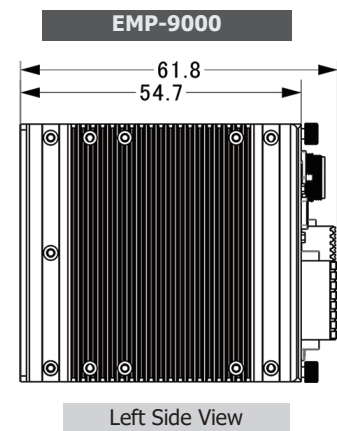
EMP-92XX



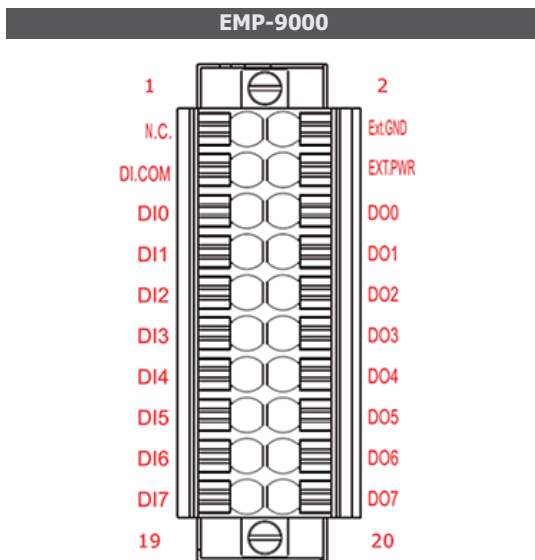
EMP-96XX



Dimensions (Units: mm)



Pin Assignments



Wire Connections

Digital Input	Readback as 1	Readback as 0
	+19 ~ +24 Vdc	OPEN or < 11 Vdc
Sink		
Source		
Digital Output	ON State Readback as 1	OFF State Readback as 0
Driver Relay		
Resistance Load		

Ordering Information

EMP-9051-16 CR	16 axes EtherCAT Master, Metal Motion PAC with i5-8365UE CPU and Win10 IoT(RoHS)
EMP-9051-32 CR	32 axes EtherCAT Master, Metal Motion PAC with i5-8365UE CPU and Win10 IoT(RoHS)
EMP-9091-16 CR	16 axes EtherCAT Master, Metal Motion PAC with E3950 CPU and Win10 IoT(RoHS)
EMP-9091-32 CR	32 axes EtherCAT Master, Metal Motion PAC with E3950 CPU and Win10 IoT(RoHS)
EMP-9251-16 CR	16 axes EtherCAT Master, 2-slot Metal Motion PAC with i5-8365UE CPU and Win10 IoT(RoHS)
EMP-9251-32 CR	32 axes EtherCAT Master, 2-slot Metal Motion PAC with i5-8365UE CPU and Win10 IoT(RoHS)
EMP-9651-16 CR	16 axes EtherCAT Master, 6-slot Metal Motion PAC with i5-8365UE CPU and Win10 IoT(RoHS)
EMP-9651-32 CR	32 axes EtherCAT Master, 6-slot Metal Motion PAC with i5-8365UE CPU and Win10 IoT(RoHS)