



## ALM-Horn-RGB

PoE Ethernet, Single Input, Single Output, User define RGB  
3 Color Ultrabright LED, 4 selectable Tone,  
Piezo Transducer Alarm Siren.

### Features

- Built-in Web Server
- PoE Ethernet support
- Modbus TCP protocol support
- 1 Photo couple input, 1 Open Collector output
- Water clear upper cover
- 8 user define RGB 3 color Ultrabright LED.
- 4 Selectable Alarm Tone.
- 100 dbm Piezo Transducer Output.



### Introduction

The ALM-Horn-RGB have a water clear upper cover, RGB 3 color Ultrabright LED, 100dbm Piezo Transducer siren, with PoE Ethernet, Modbus TCP protocol & built-in Web Server.

ALM-Horn-RGB include 1-channel digital input for any dry contact output such as SA, BA, FA.. etc. and 1-channel digital output, Each device have 4 kinds of alarm tone, NC/NO input mode select, user define RGB alarm LED color. The ALM-Horn-RGB support Modbus protocol, Which makes perfect integration for monitoring or control in SCADA software, HMI Modbus & Utility's. ALM-Horn-RGB have High Sound Pressure output, wide input power range and IP43 waterproof.

### Applications

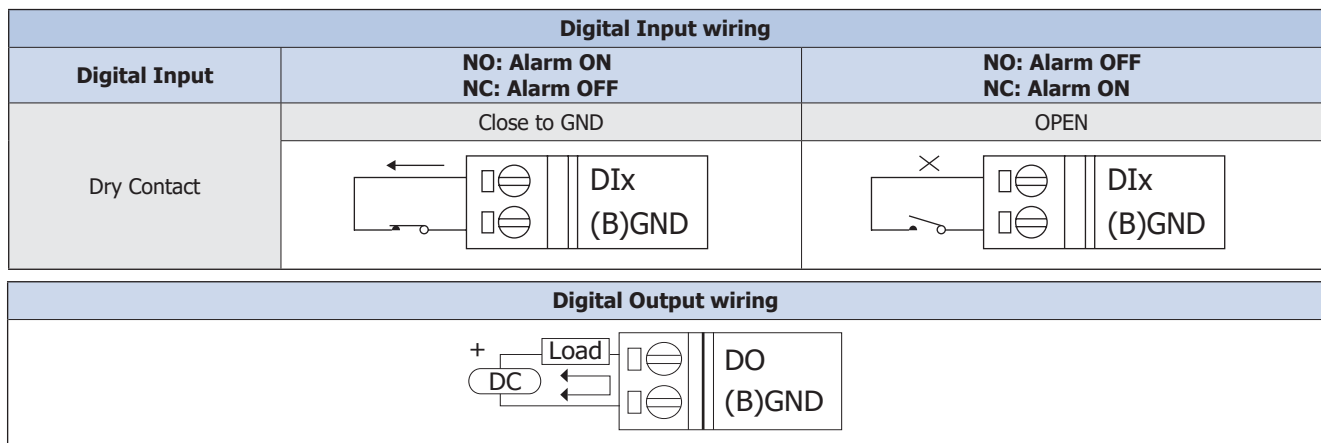
- Building Automation
- Security Automation
- Machine Automation
- Factory Automation
- Testing Equipment
- Fire Alarm System

### Specifications


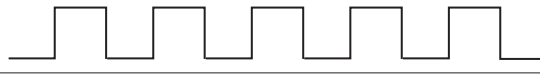


EMS Protection	
EFT (IEC 61000-4-4)	±2 kV for Power
ESD (IEC 61000-4-2)	±8 kV Air for Random Point
LED Indicators	
Status	System, Ethernet ACT, Ethernet PoE 3 LED's
Digital Input/Counter	
Channels	1
Type	Dry Contact: Sink
ON Voltage Level	Close to GND
OFF Voltage Level	Open
Isolation	3750 VDC
Digital Output	
Channels	1
Type	Open Collector (Sink)
Load Voltage	+3.5 VDC ~ +30 VDC
Load Current	400 mA
Alarm Output	
LED	Water clear upper cover with 8 RGB Ultrabright 3 color LED
LPiezo Transducer Pressure Level	100 ± 5 dB @10cm/3.0 KHz (W/O waterproof membrane)
DIP Switch	
Mode	Restore to default (inside case)

Ethernet	
Ports	RJ-45, 10/100 Base-Tx
PoE	Yes, Class 3
Security	Password and IP Filter
Protocol	Modbus TCP, Modbus UDP, HTTP
Power	
Reverse Polarity Protection	Yes
Input Range	12 ~ 48 VDC with Reverse Protection (Vin to GND)
Consumption	6.6 W (max)
Mechanical	
Dimensions (mm)	119 x 119 x 48 (W x L x H)
Installation	Panel Mount/Wall Mount
Ingress Protection Rating	IP43
Environment	
Operating Temperature	-20 ~ +75°C


### Wire Connections



### Alarm Tones

Index	Tone
1	
2	
3	
4	

### Alarm LED Color

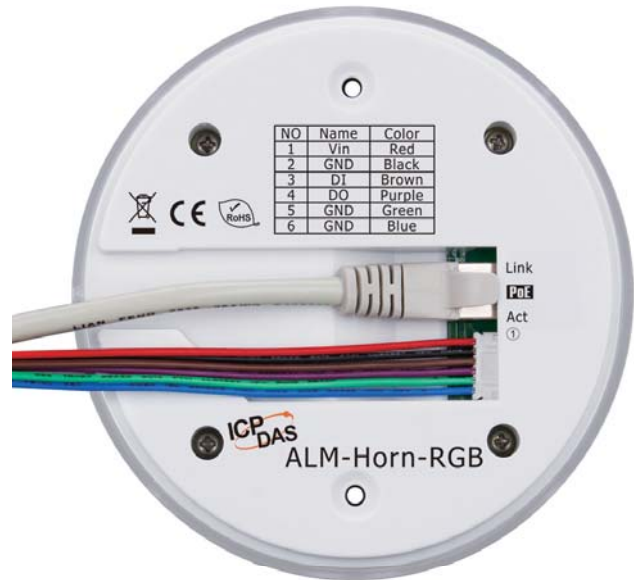
Color	Value	Setup
0		59990
Red		0
Green		0
Blue		0

R/G/B Color value is from 0 to 59990.

## Pin Assignments

### ALM-Horn-RGB

Terminal NO	Pin Name	Wire Color
1	Vin	Red
2	GND	Black
3	DI	Brown
4	DO	Purple
5	GND	Green
6	GND	Blue

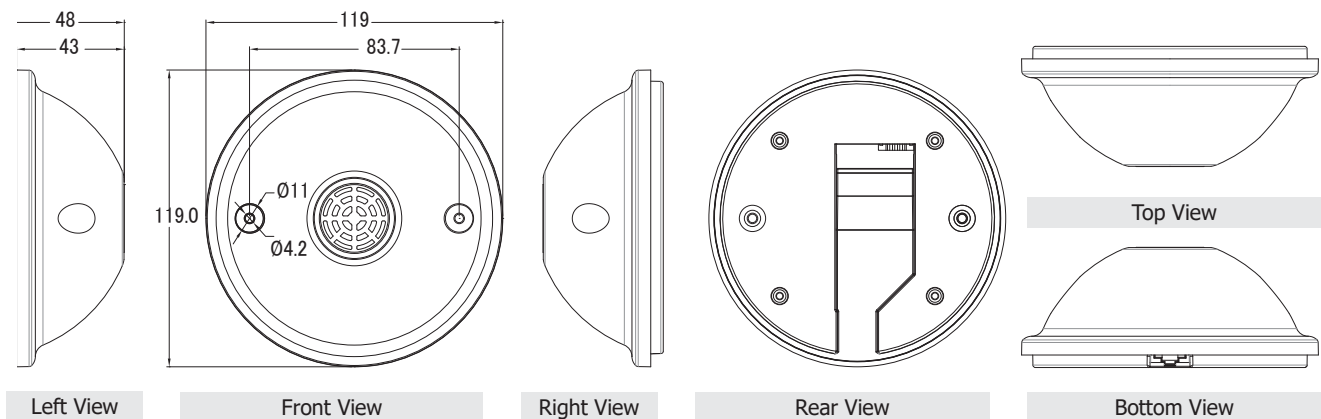


## Device Photo



(External Wall Box EWB-C150)

## Dimensions (Units: mm)



## Ordering Information

<b>ALM-Horn-RGB CR</b>	Single Input, Single Output, 4 selectable Tone, RGB 3 Color Ultrabright LED, PoE Ethernet, Piezo Transducer Alarm Siren (RoHS)
------------------------	--